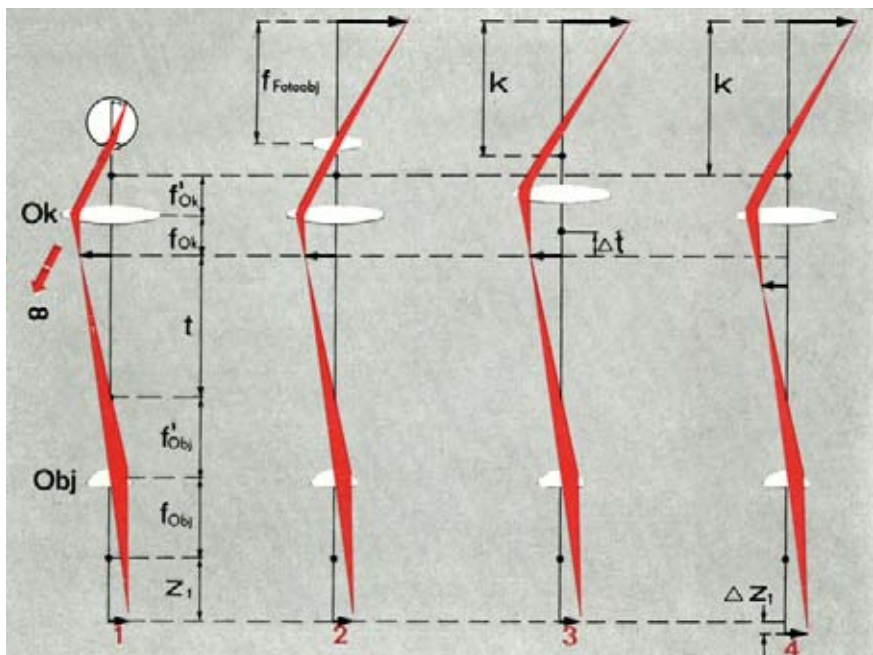


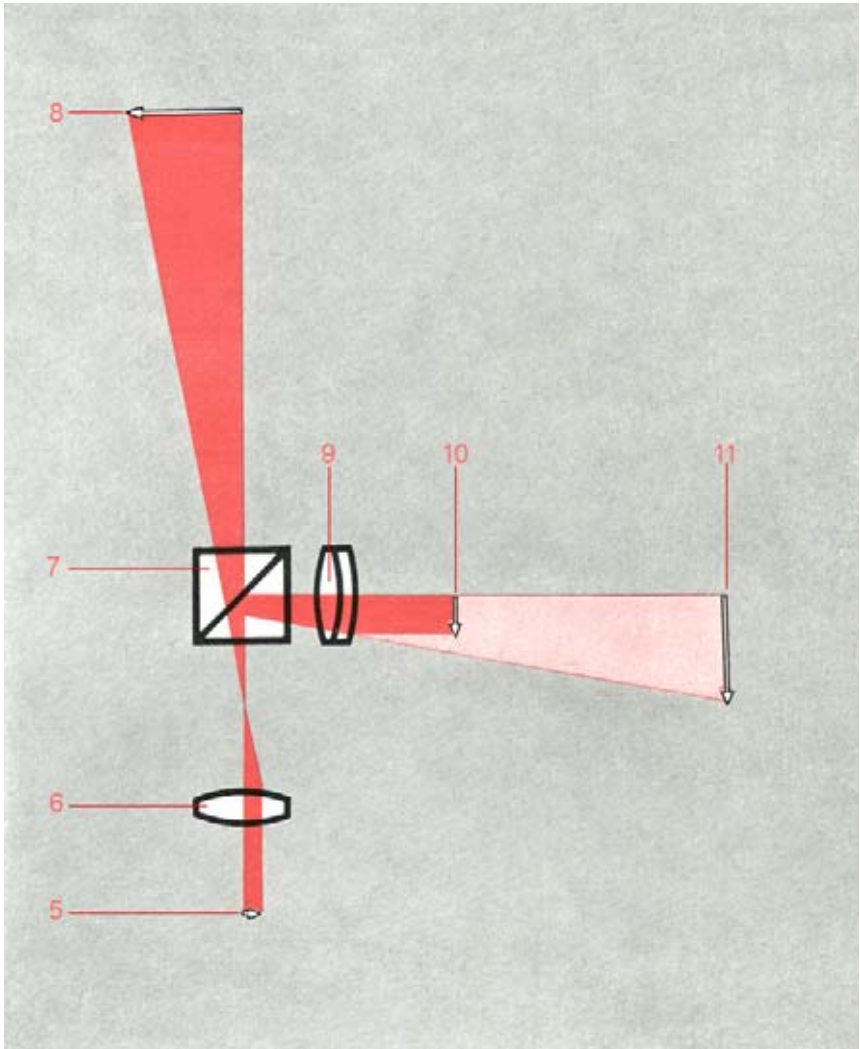
30-G 605 g

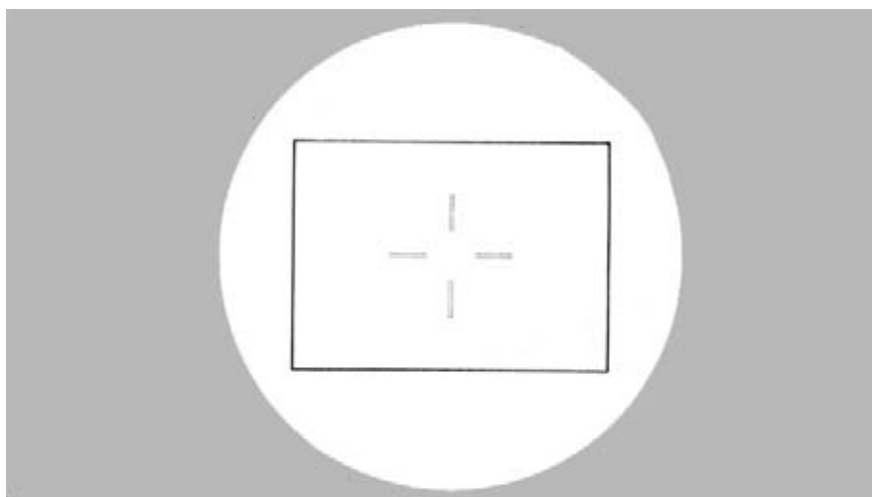


1

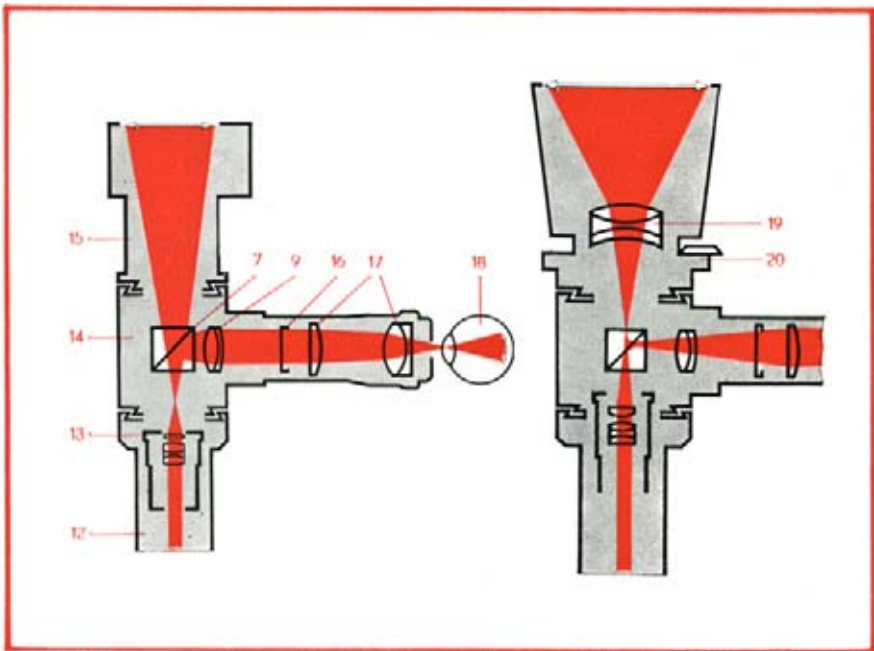


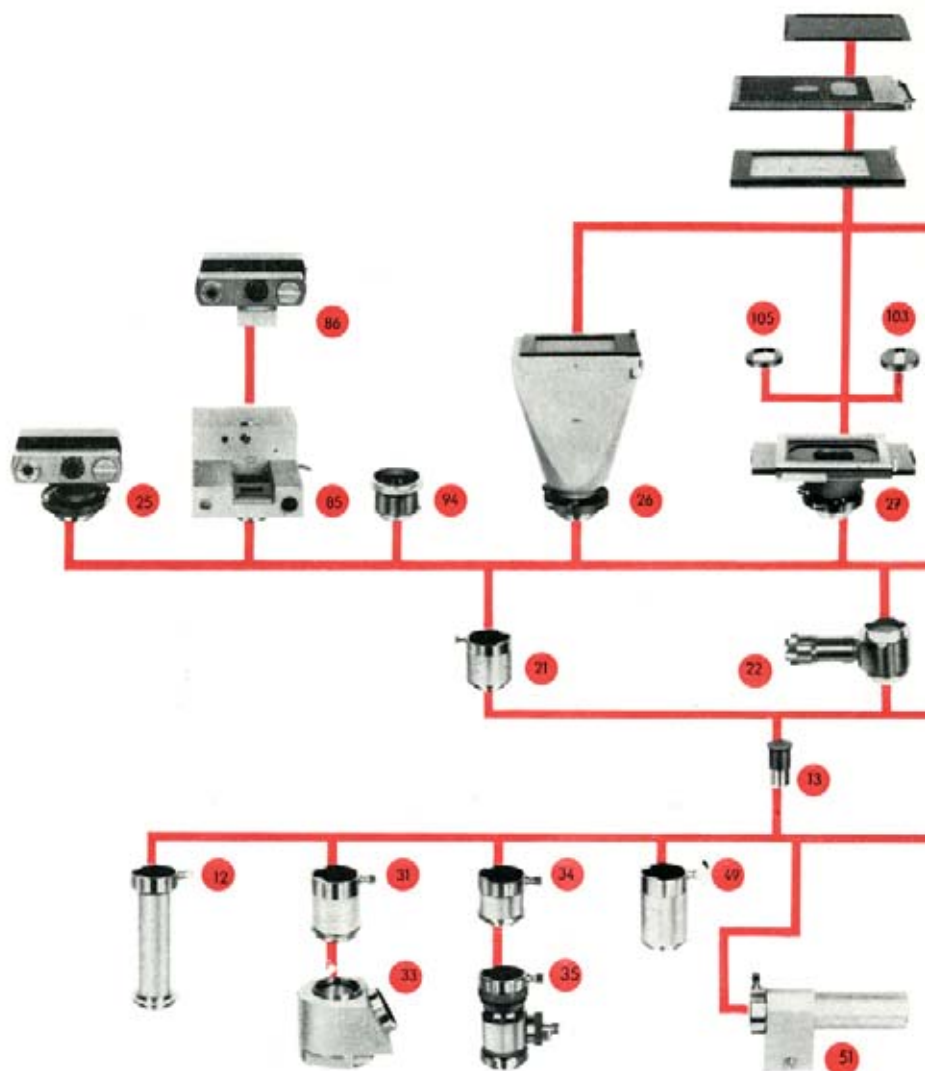
2

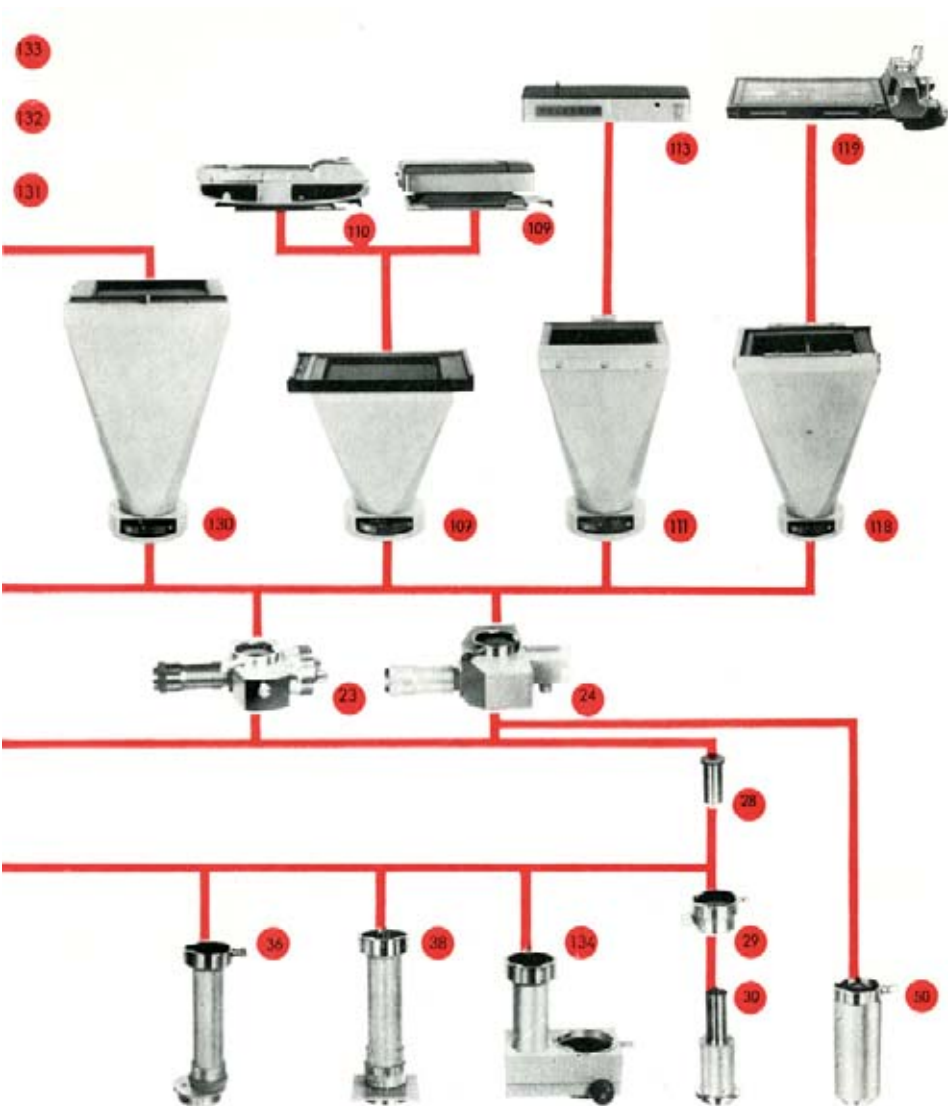


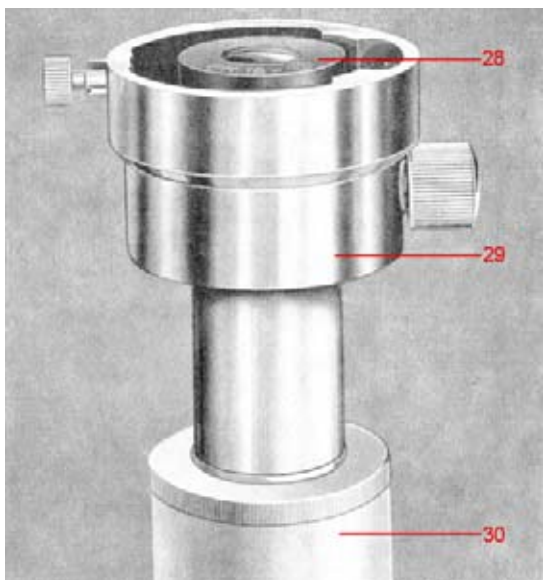


4

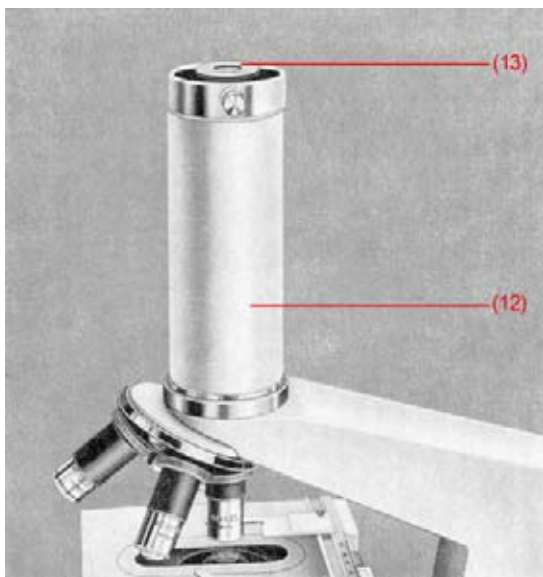




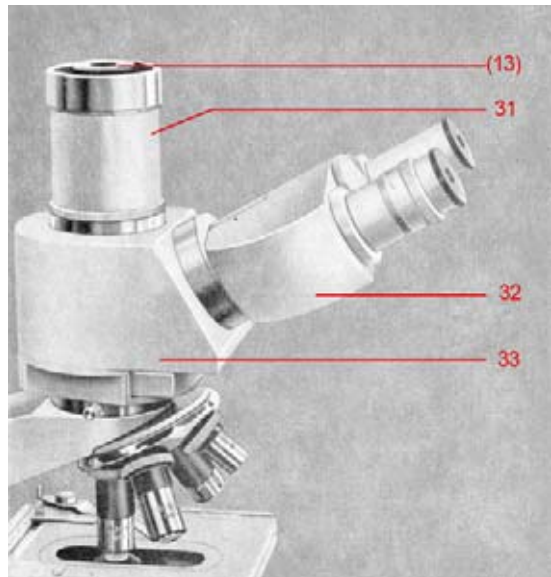




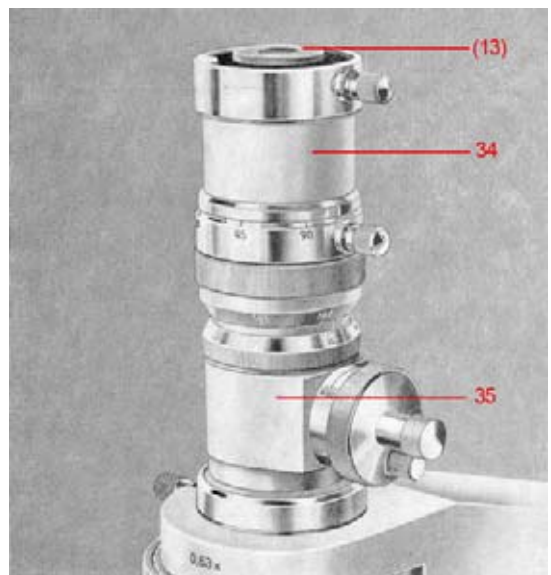
7



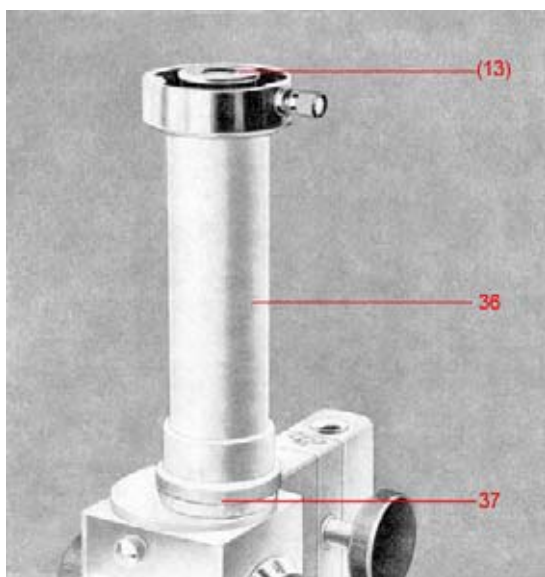
8



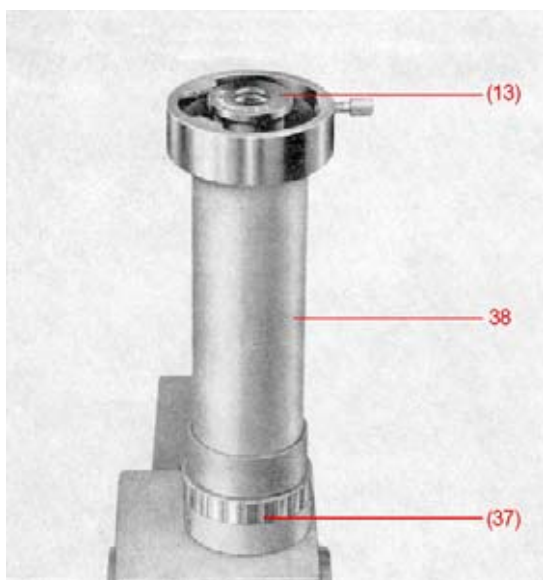
9



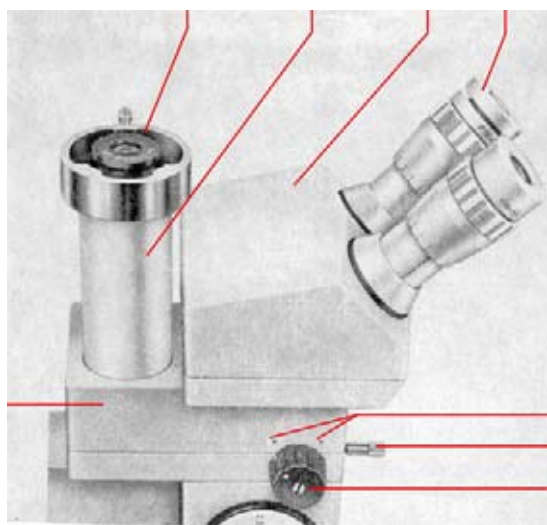
10



11



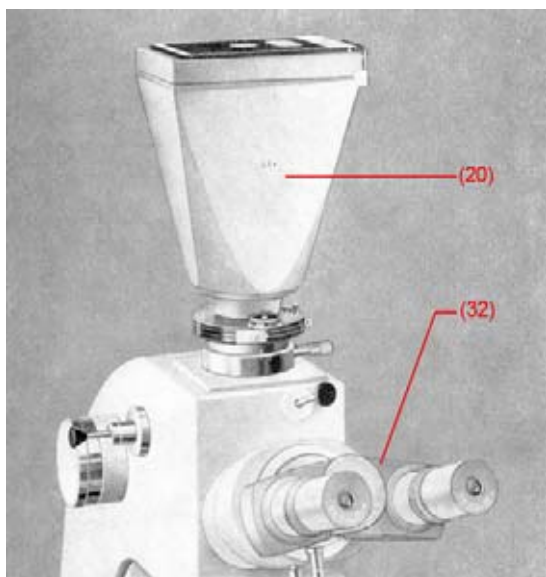
12



13



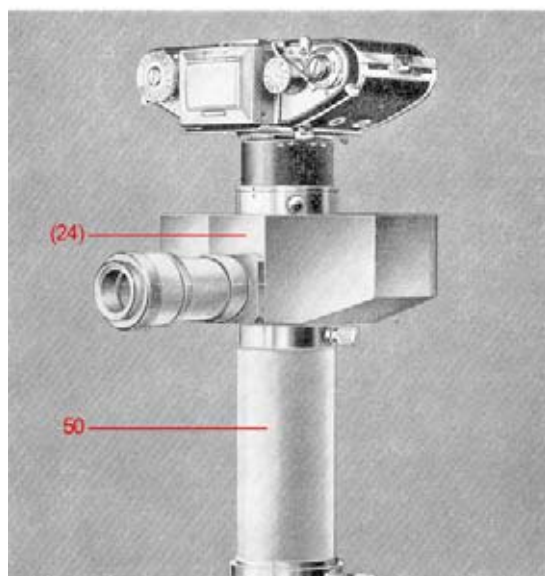
14



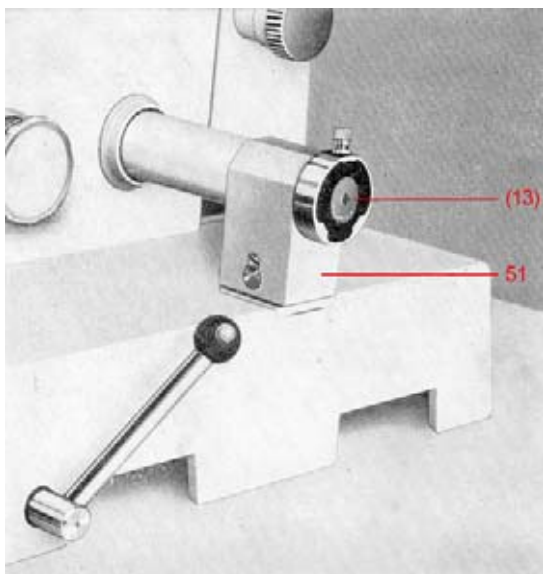
15



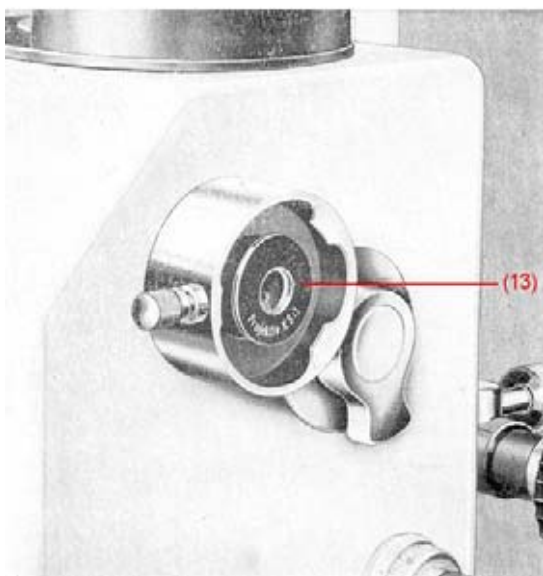
16



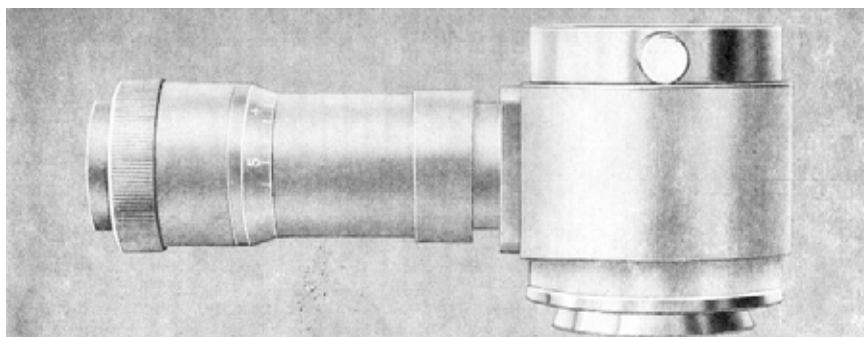
17



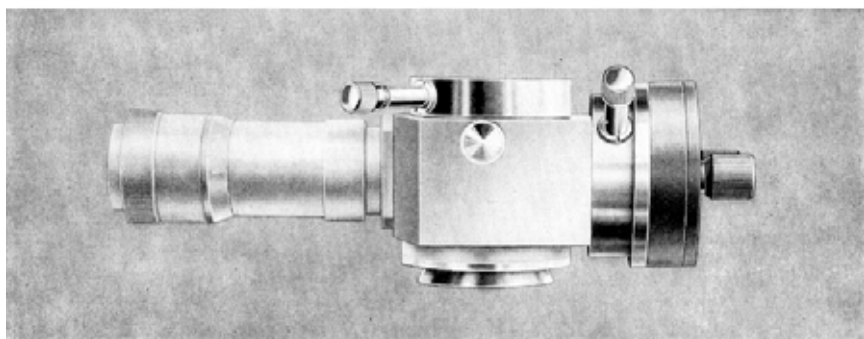
18



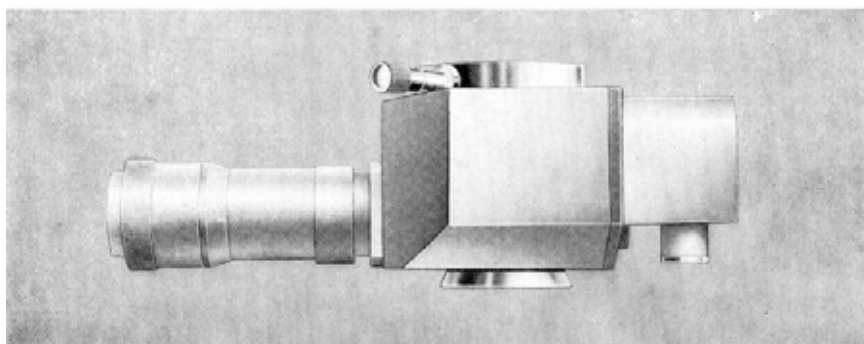
19



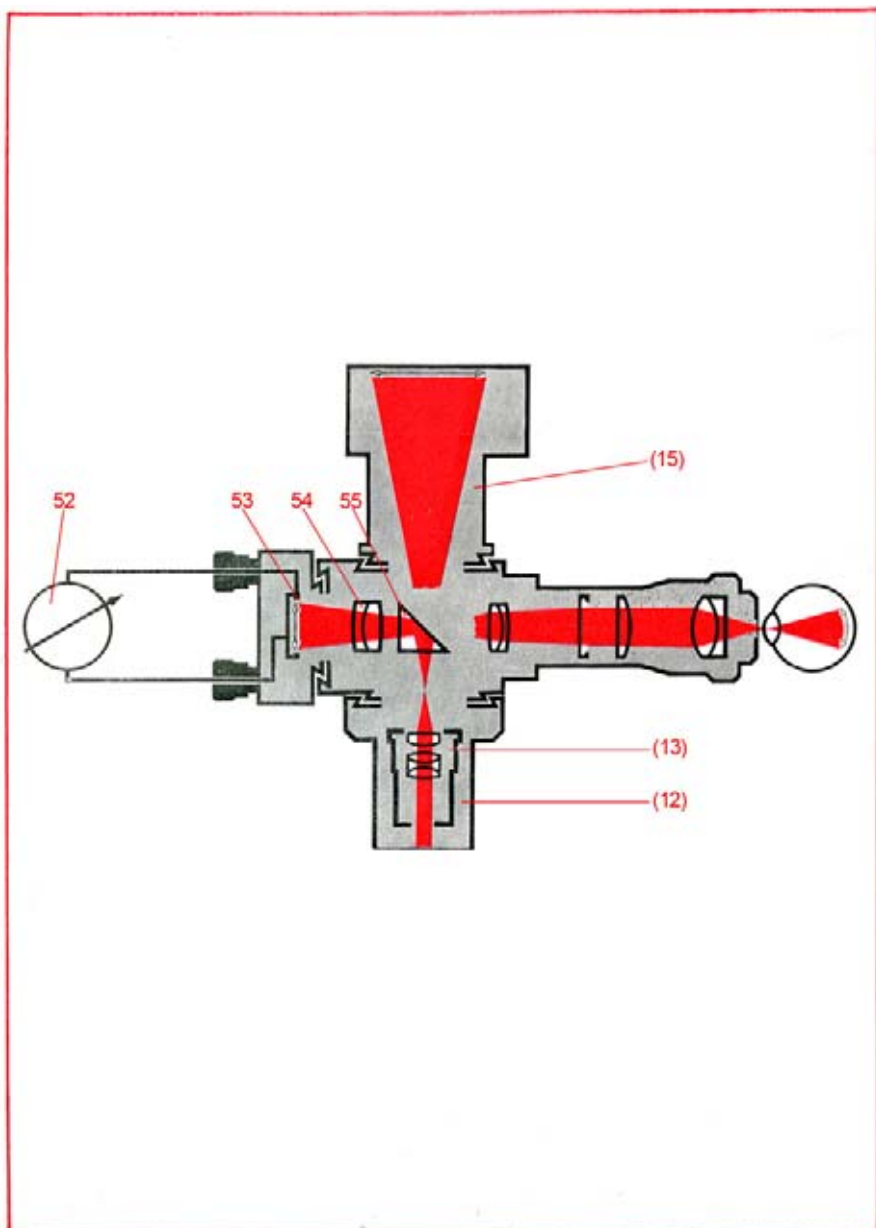
20

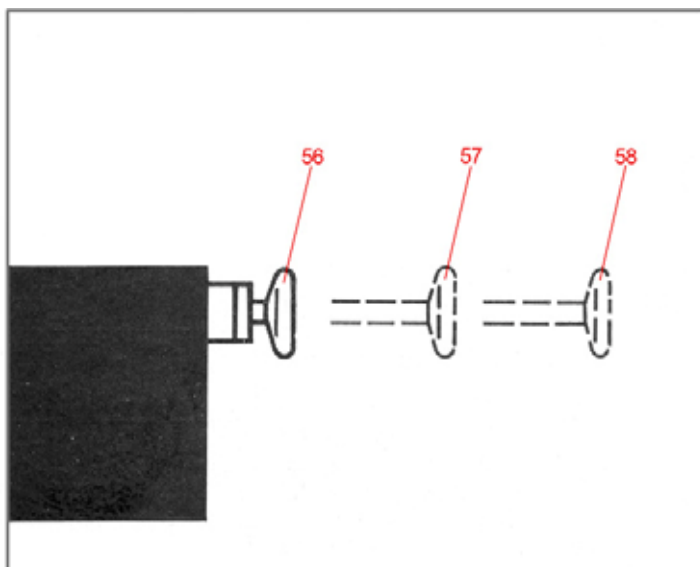


21

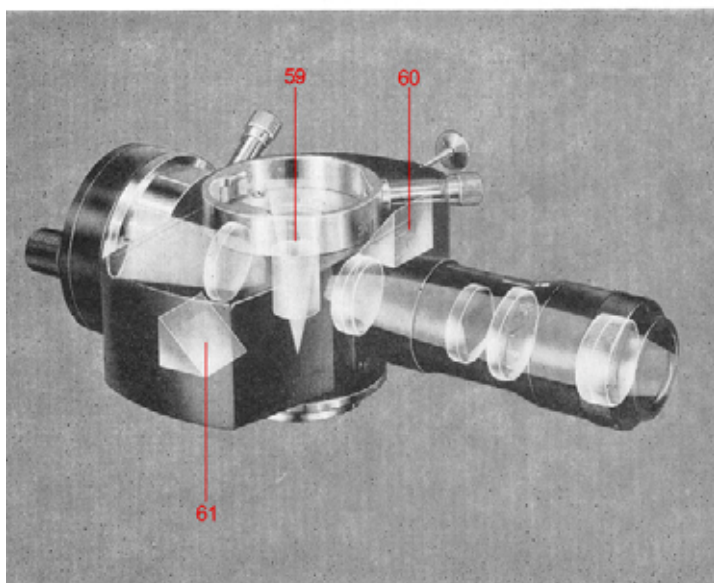


22

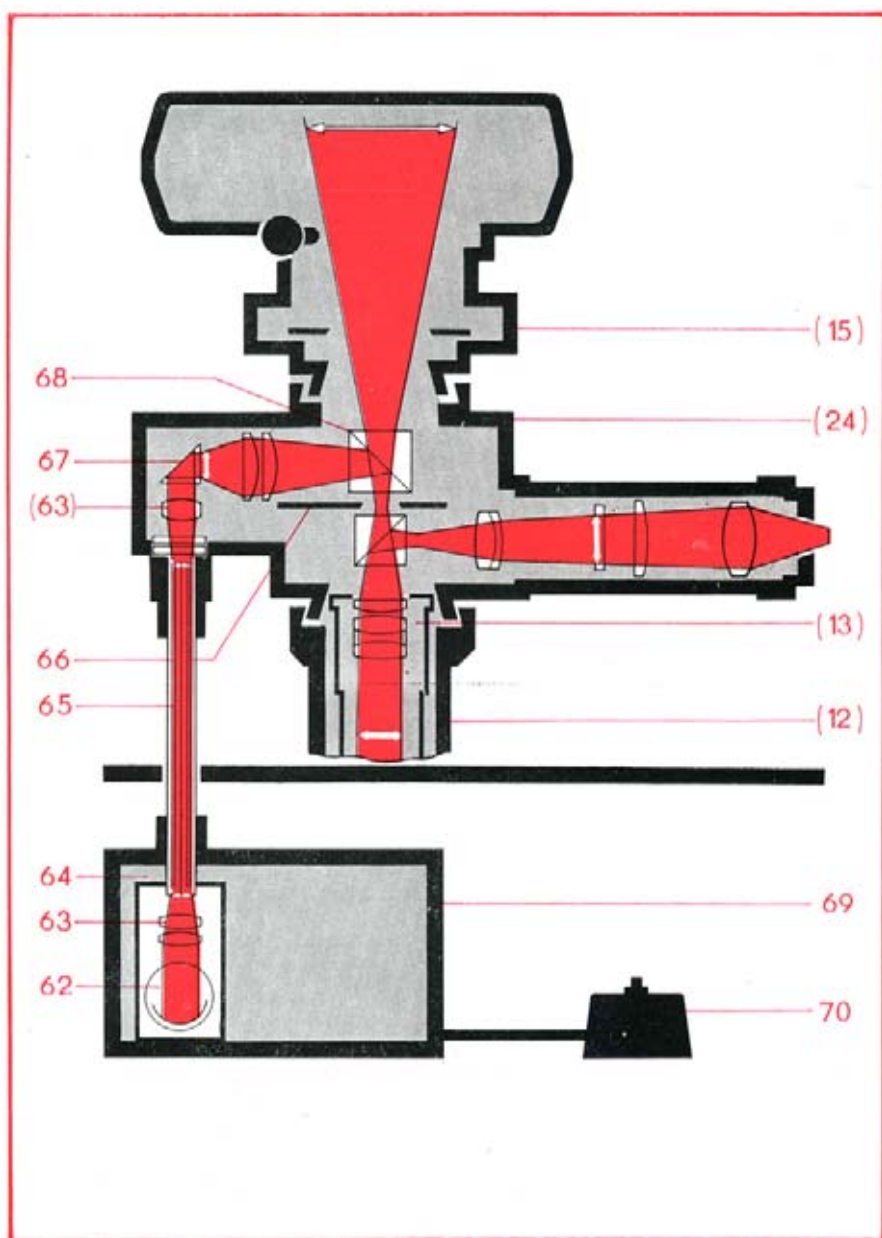


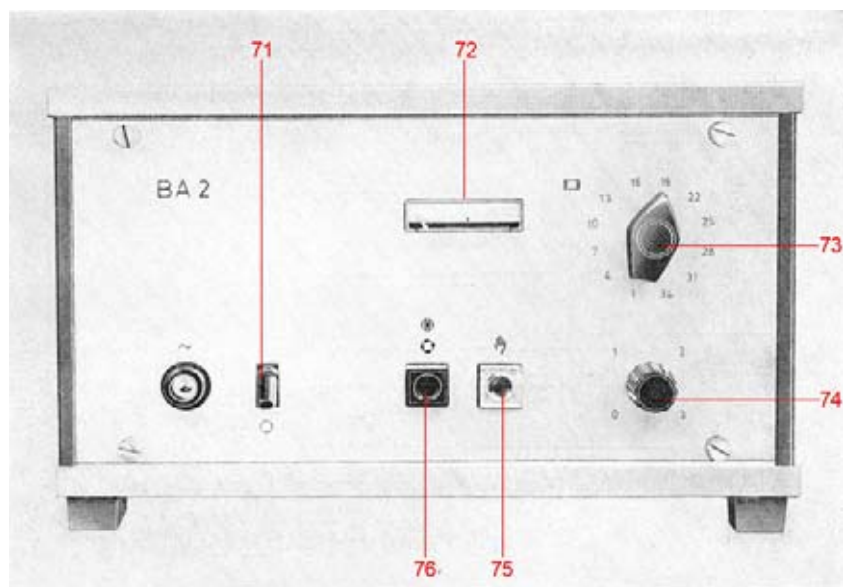


24

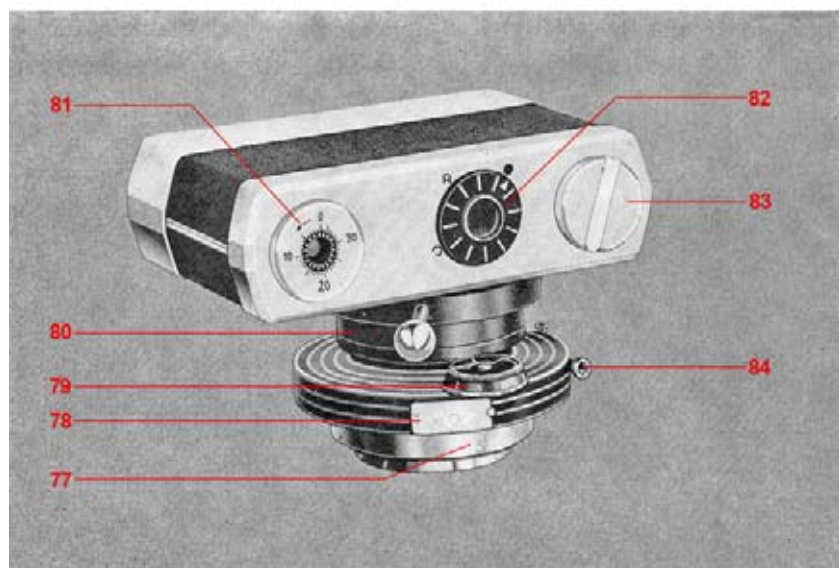


25

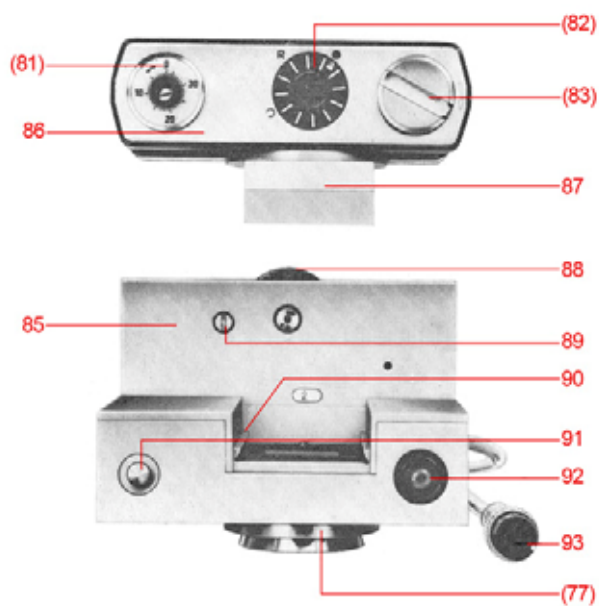




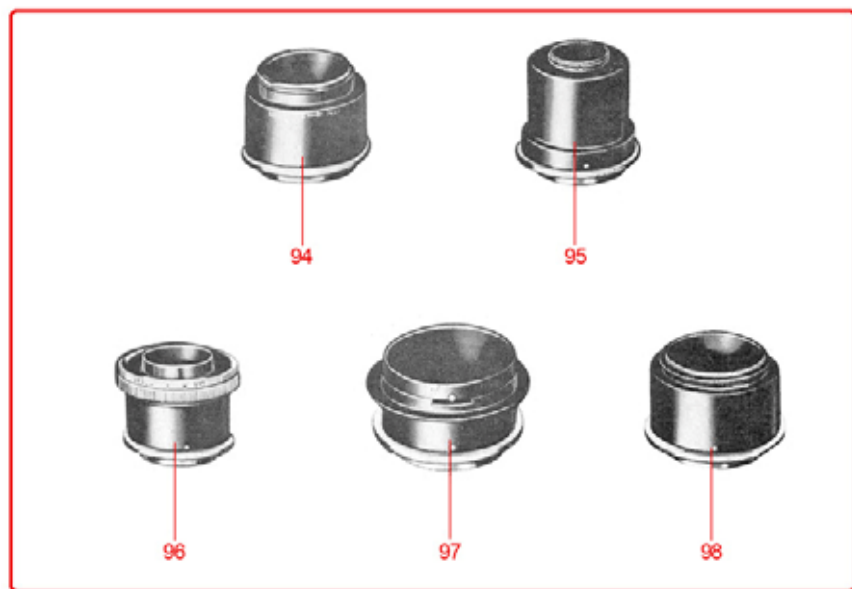
27



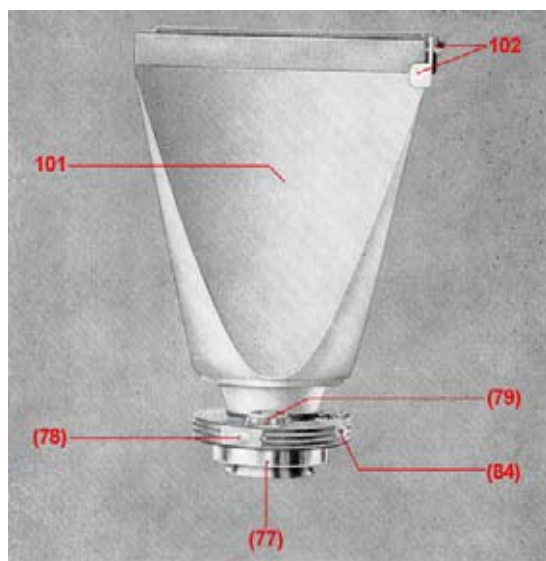
28



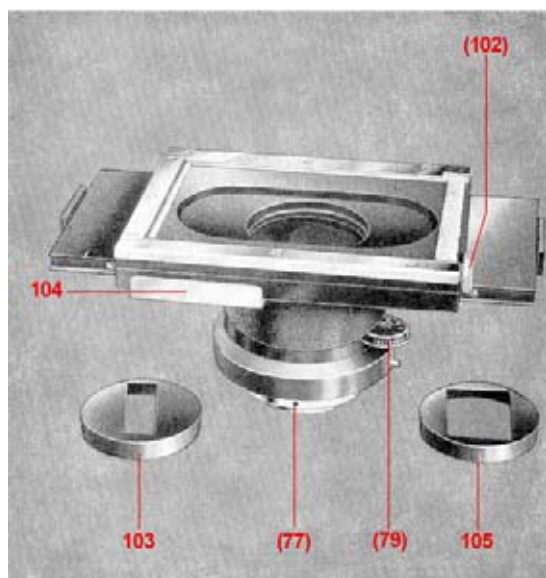
29



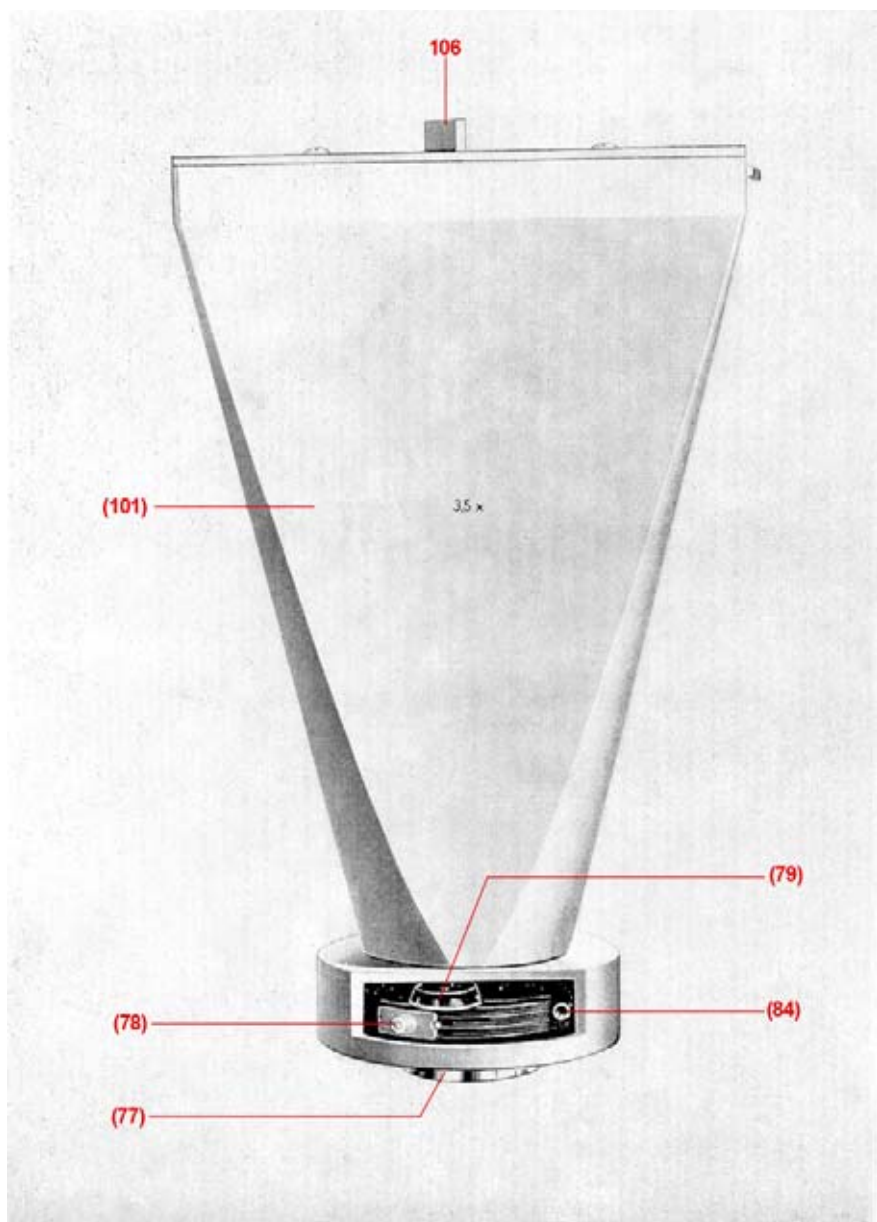
30

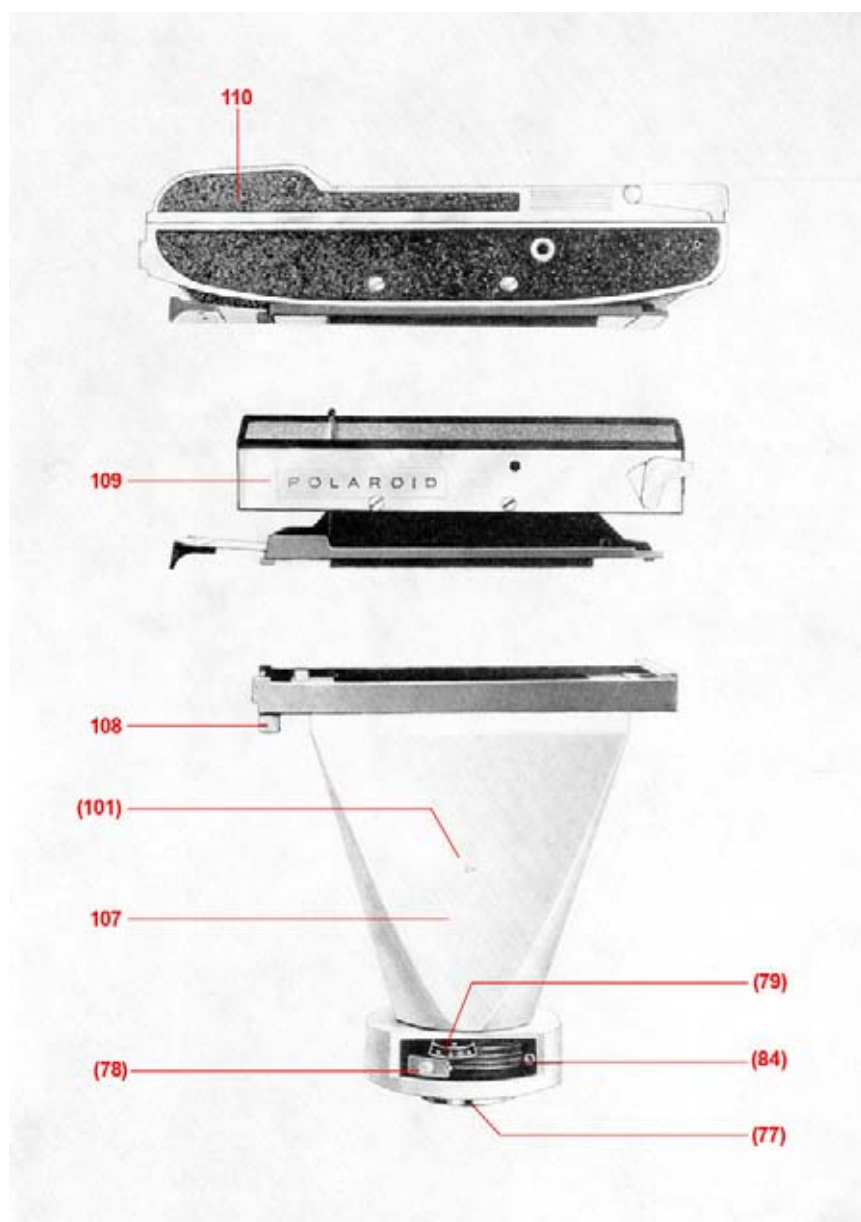


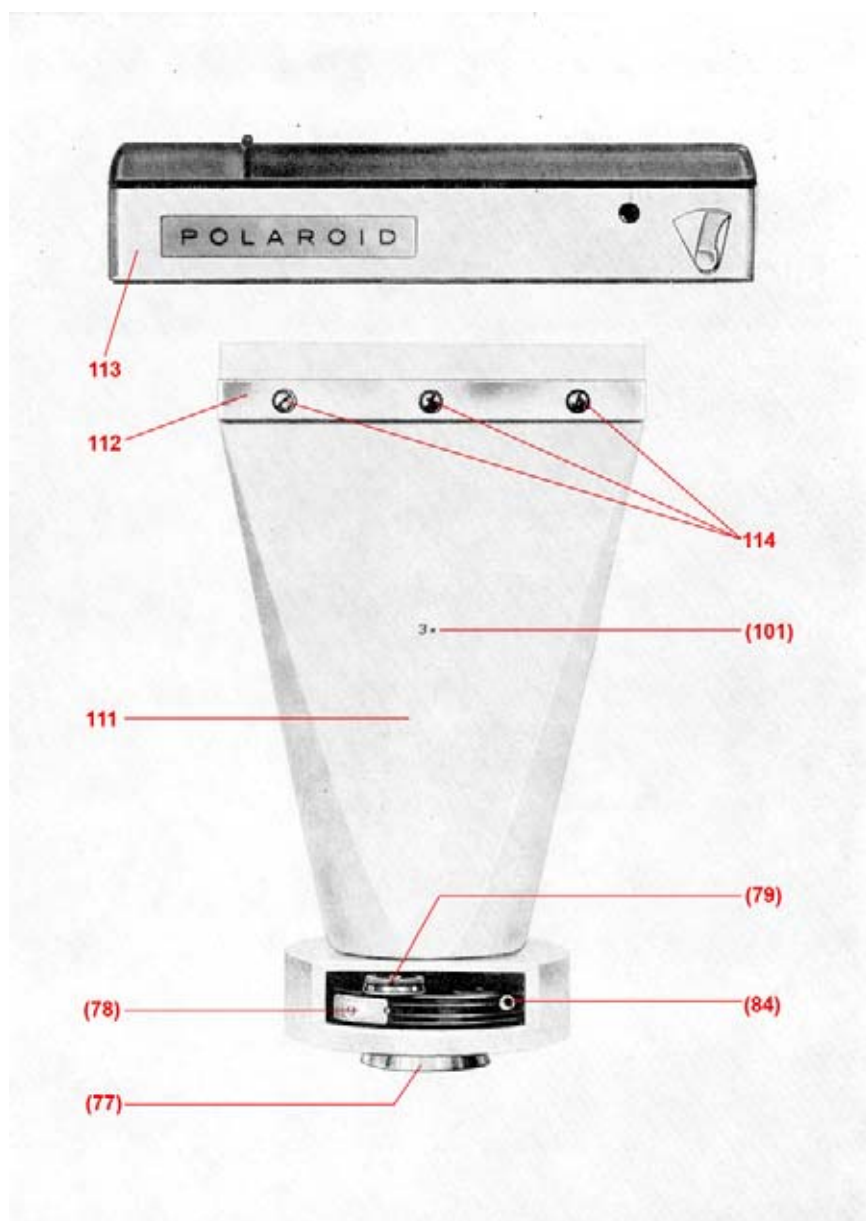
31



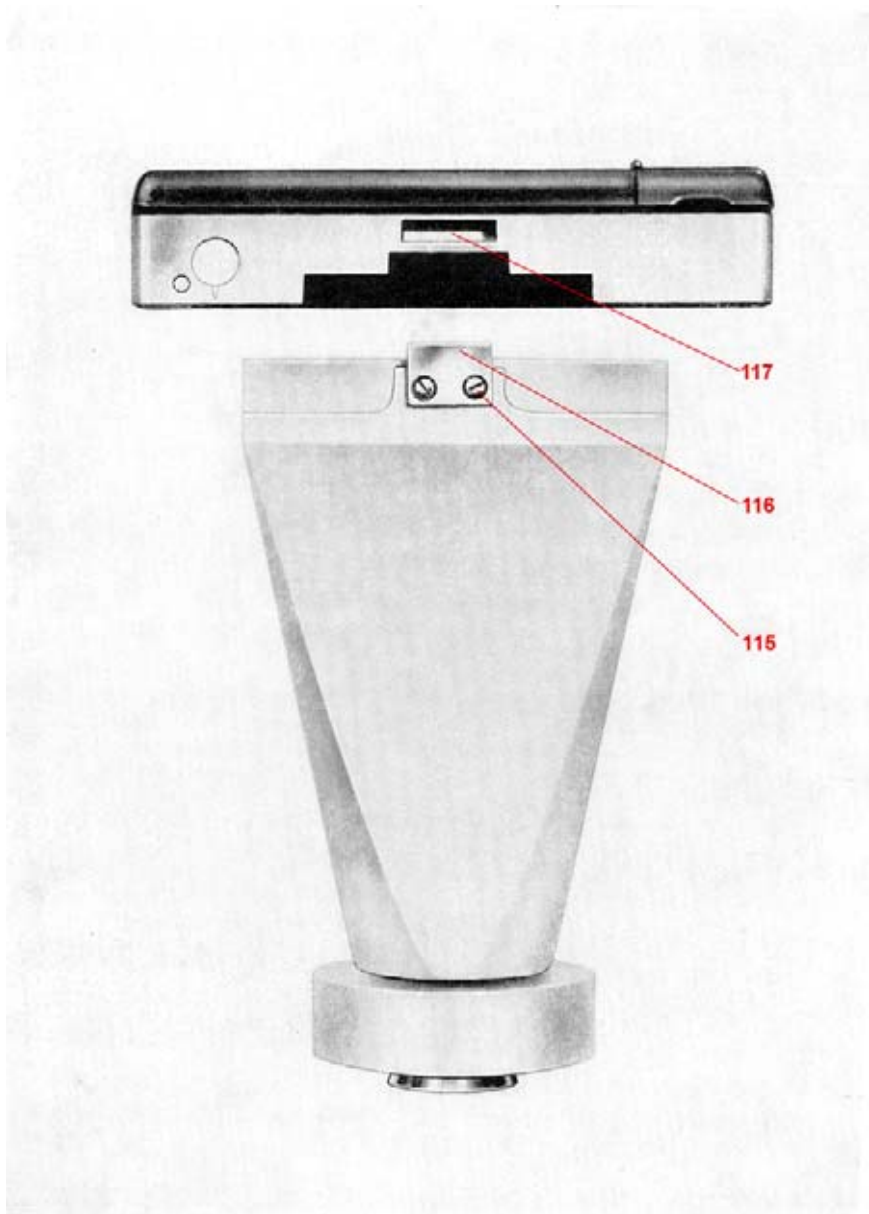
32



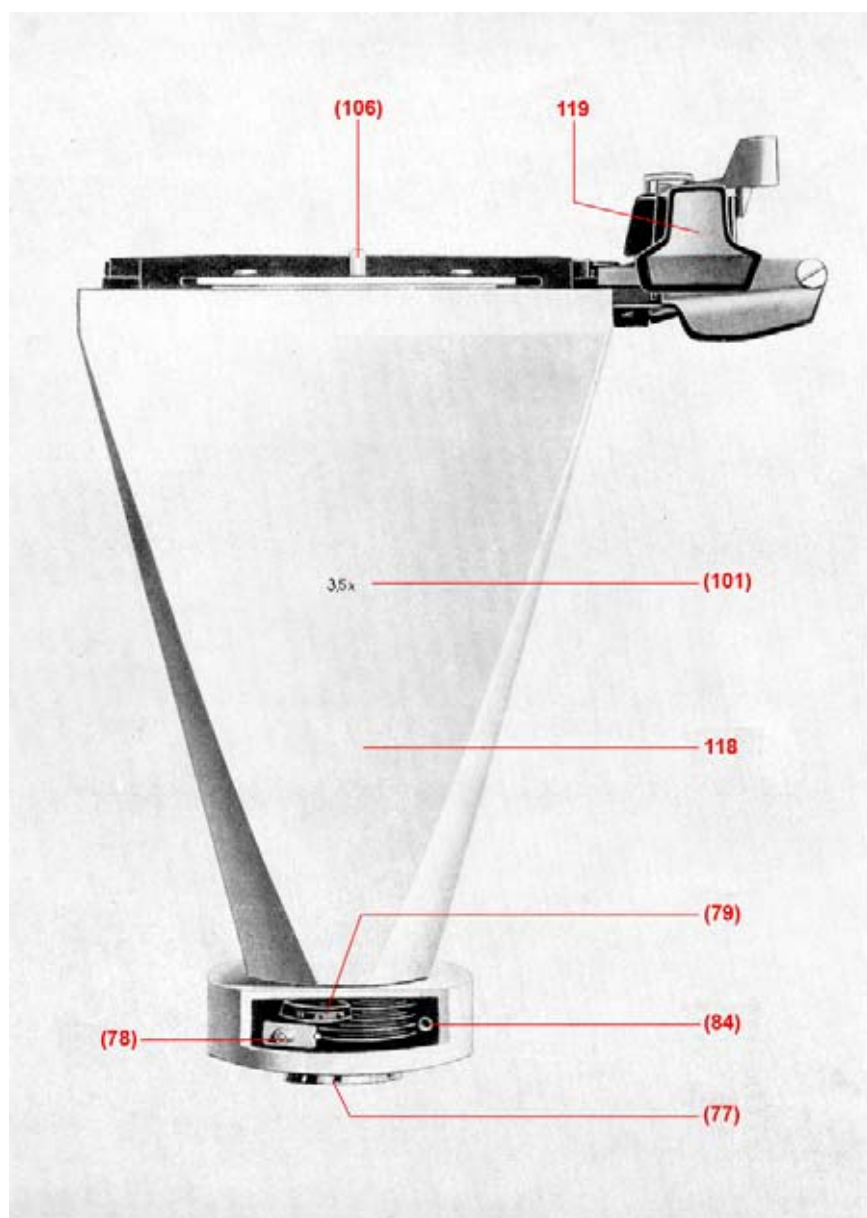


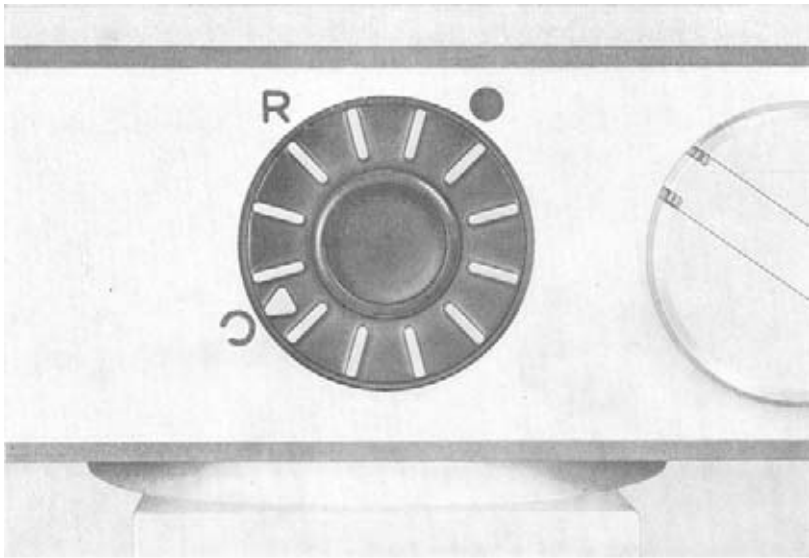


35a

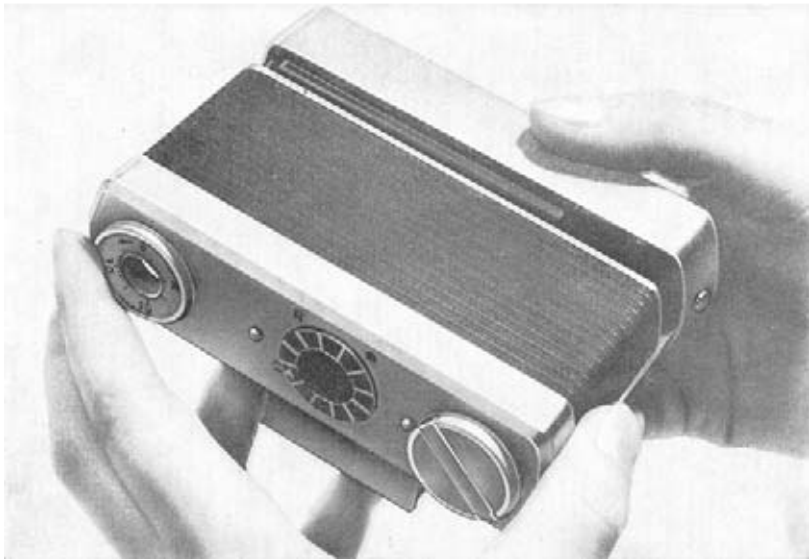


35b

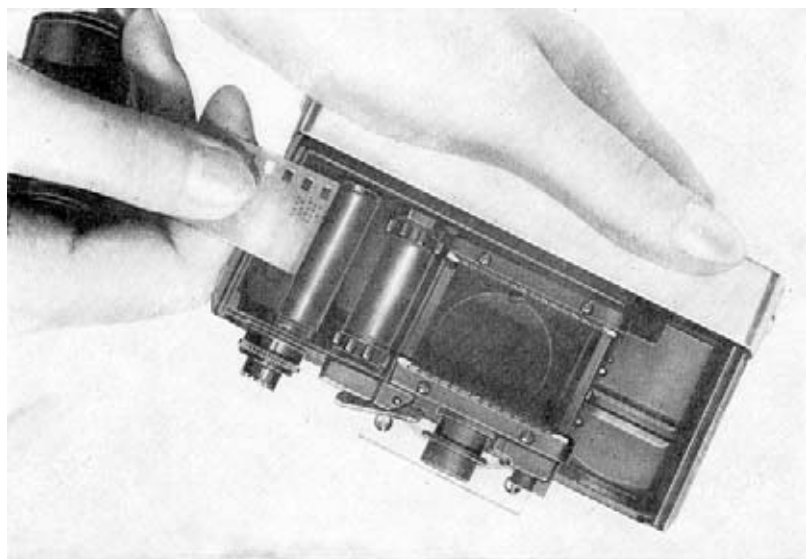




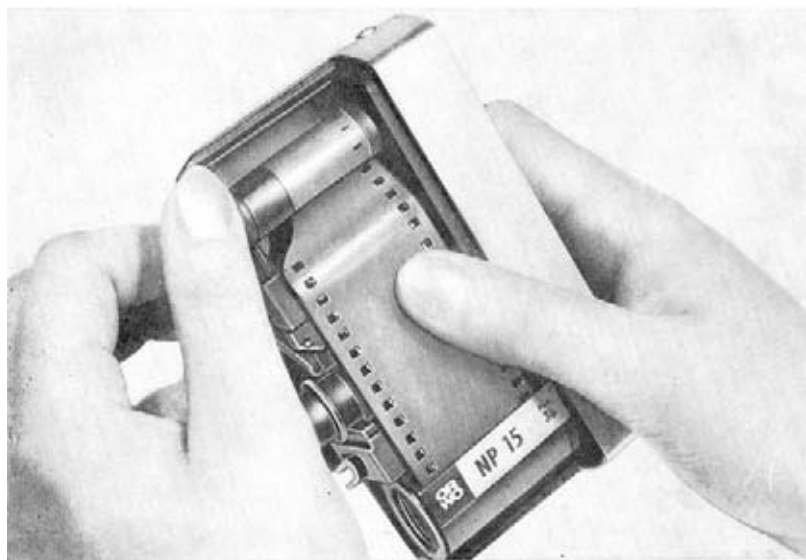
37a



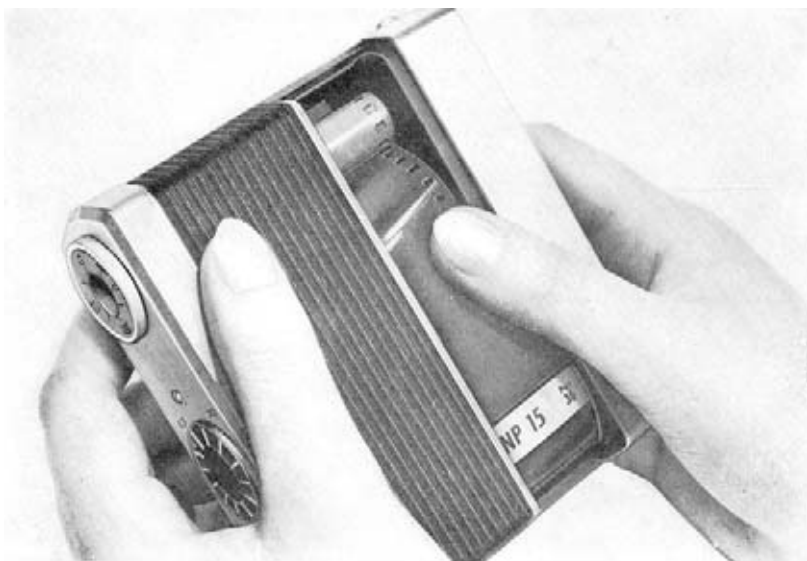
37b



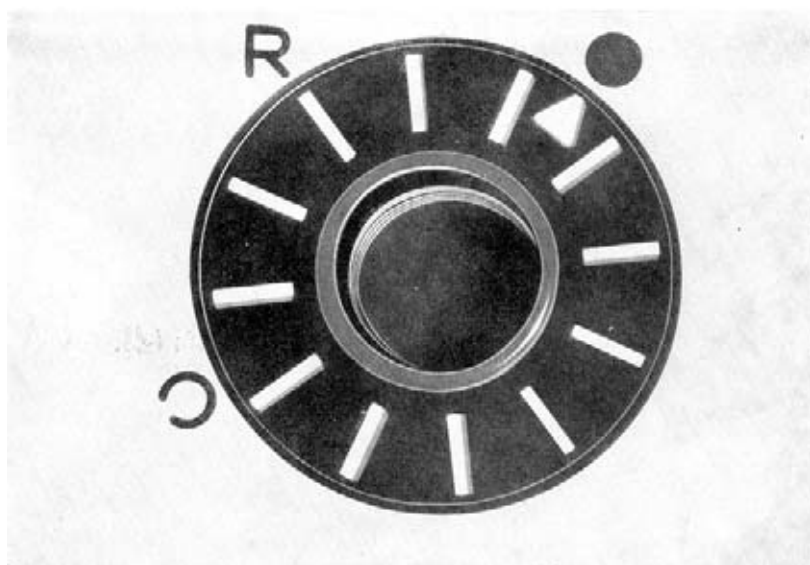
37c



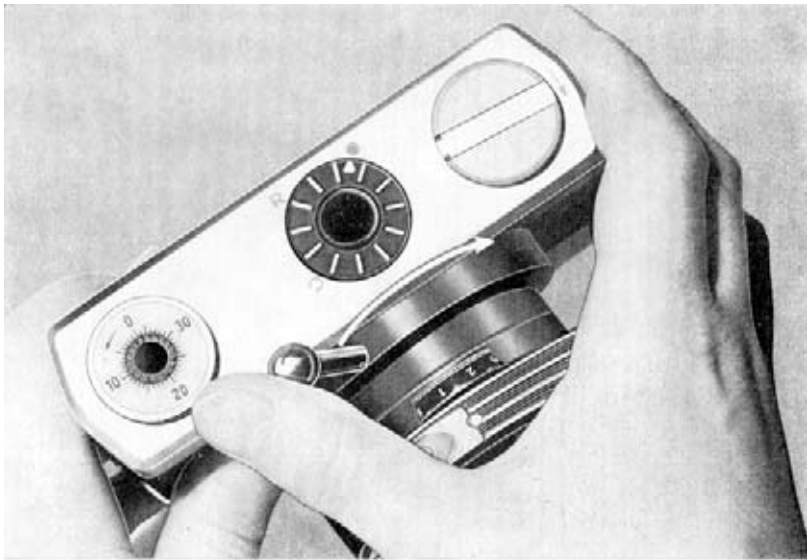
37d



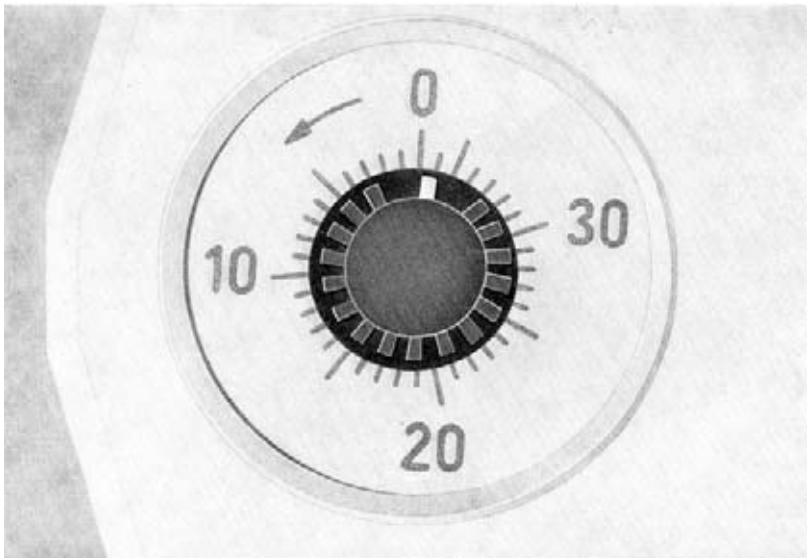
37e



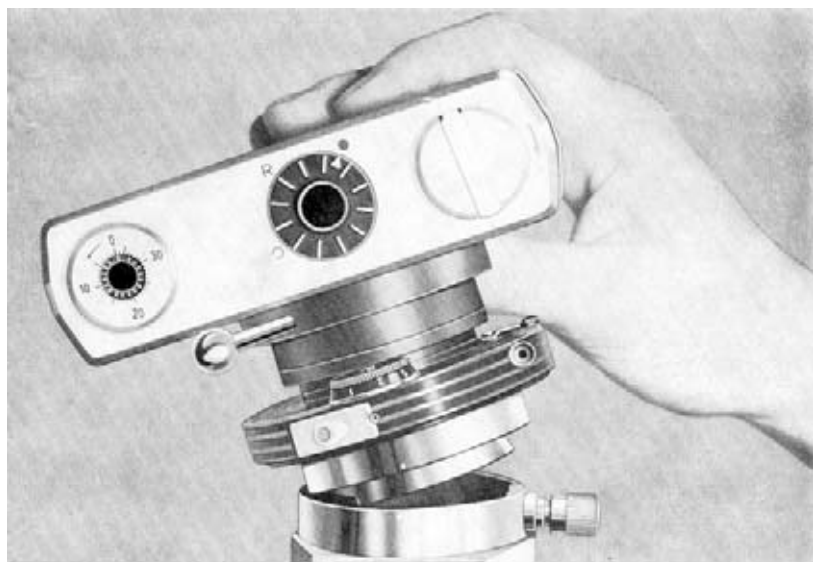
37f



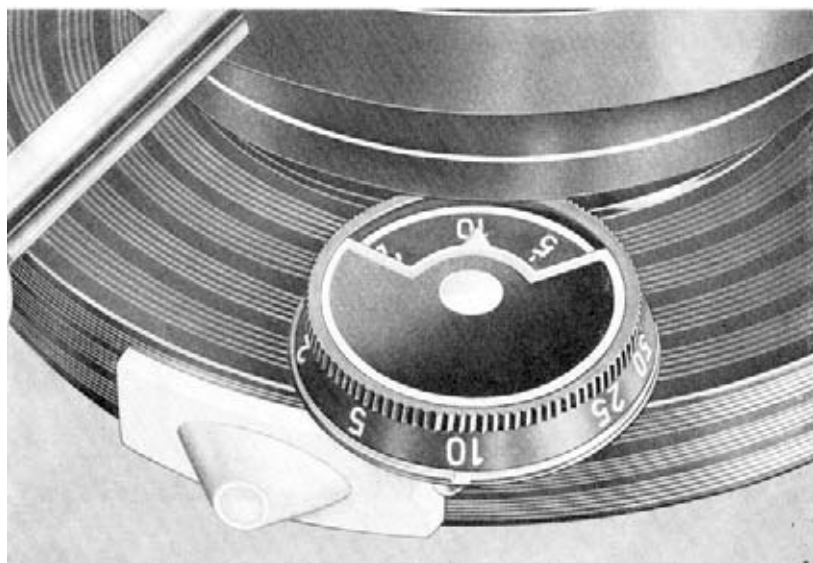
37g



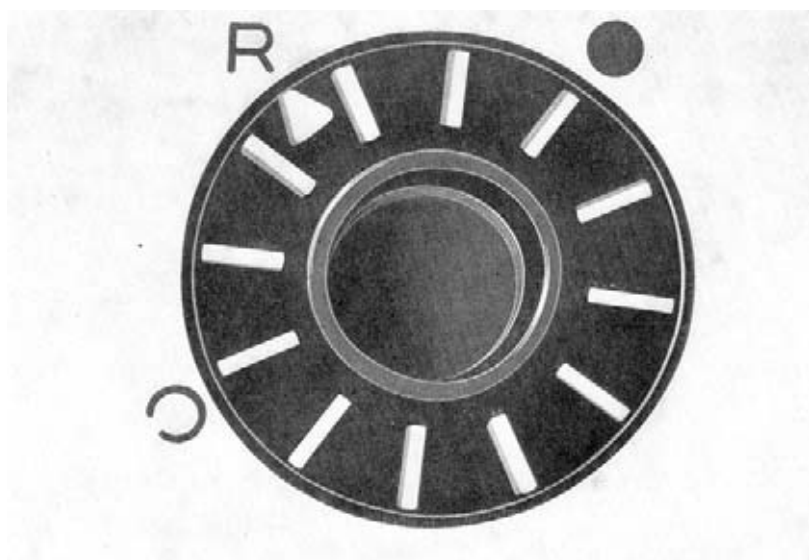
37h



35i



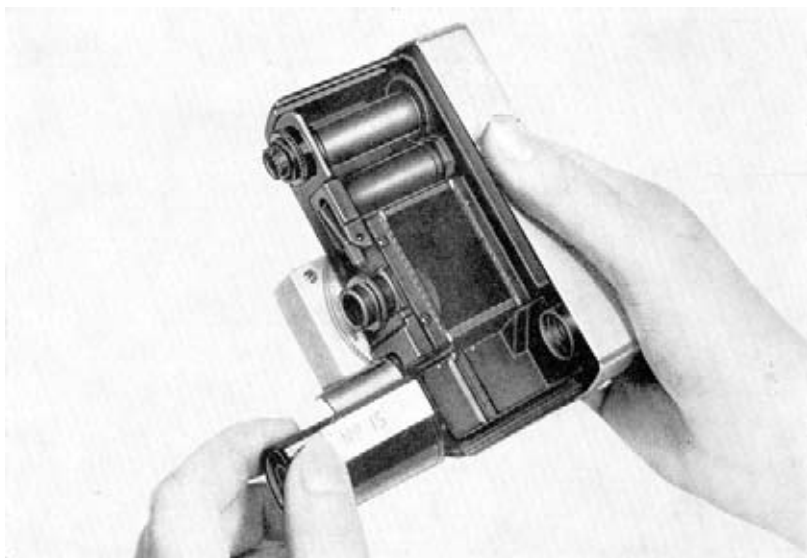
35j



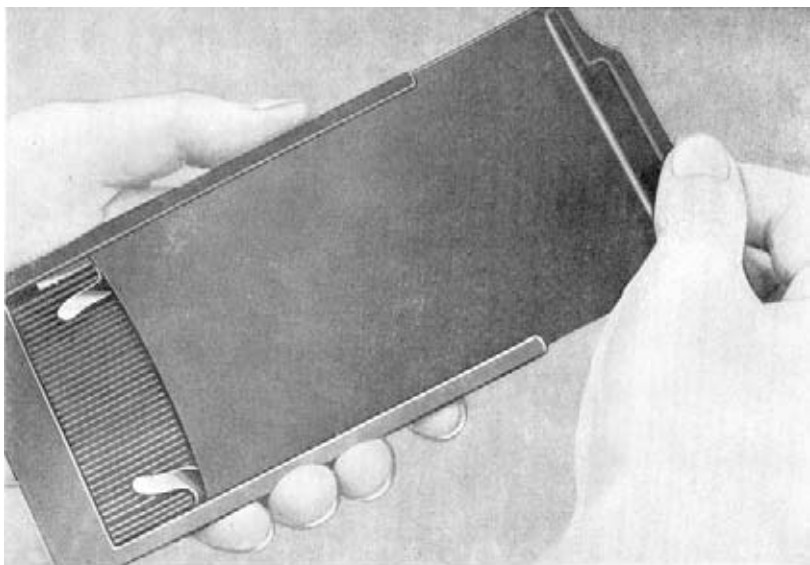
37k



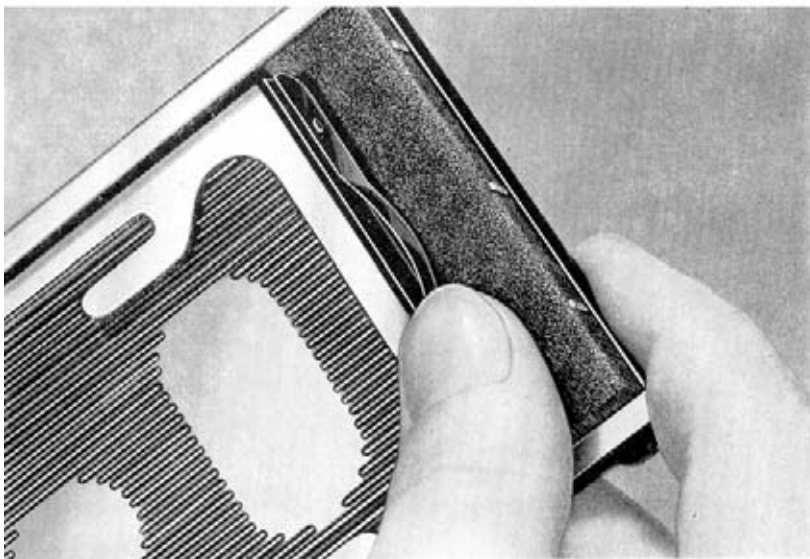
37l



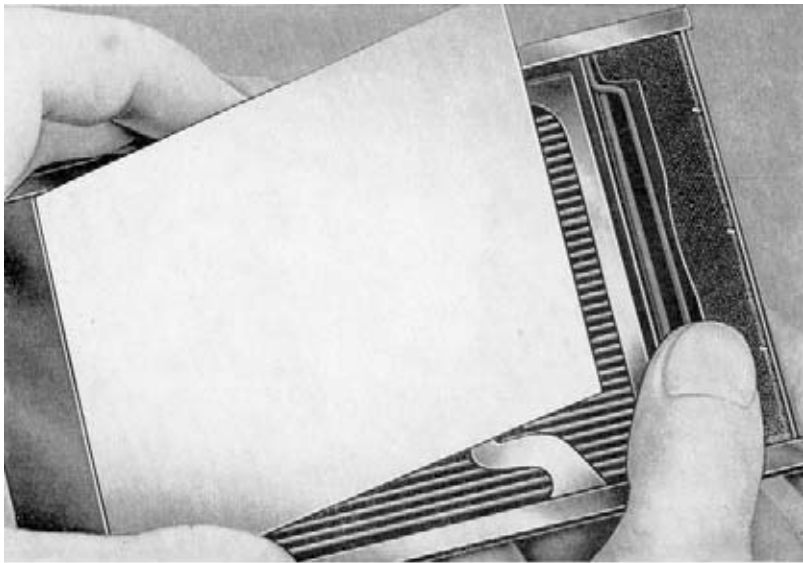
35m



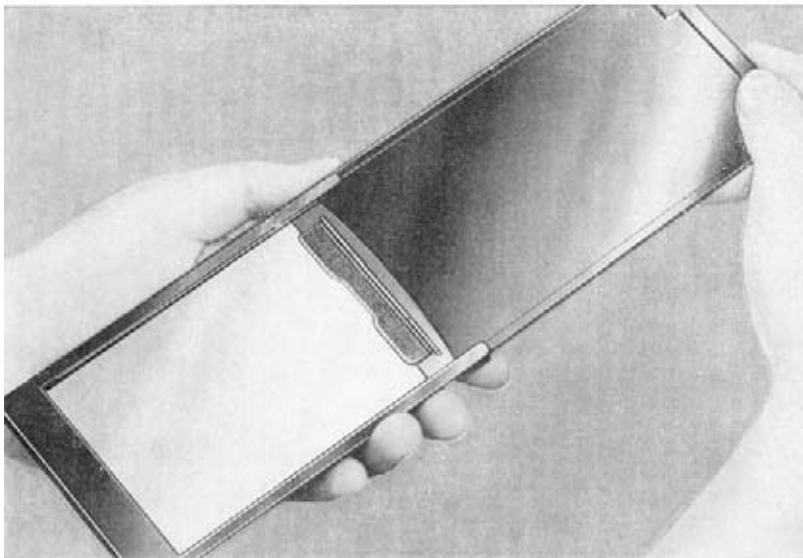
38a



38b

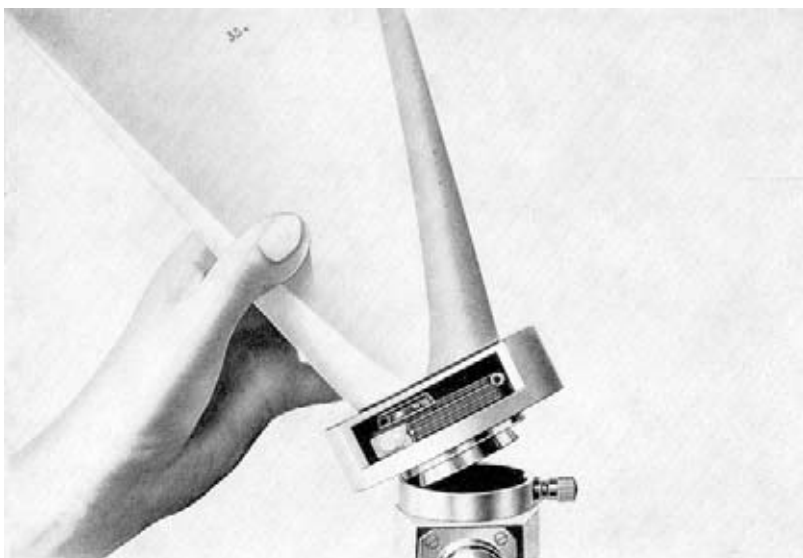


38c



38d

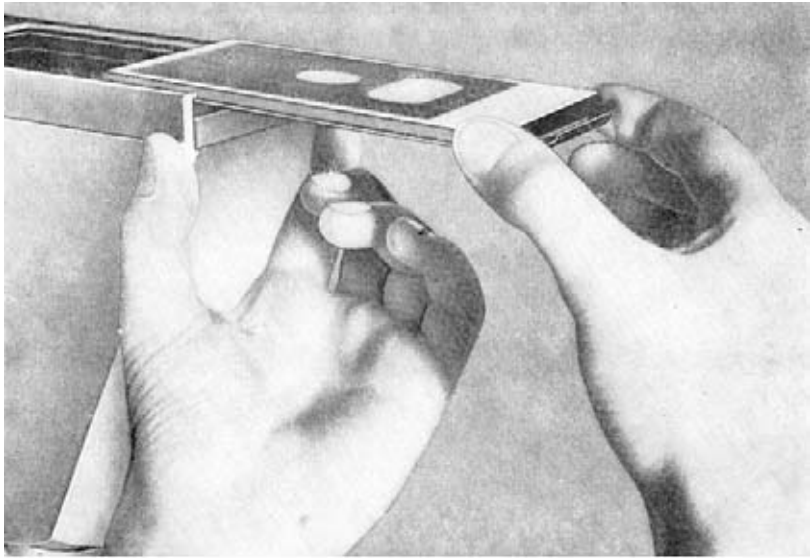
$\frac{1}{100}$	$\frac{1}{50}$	$\frac{1}{25}$	$\frac{1}{10}$	$\frac{1}{5}$	$\frac{1}{2}$	1	S
$\frac{1}{100}$	$\frac{1}{100}$	$\frac{1}{50}$	$\frac{1}{25}$	$\frac{1}{10}$	$\frac{1}{5}$	$\frac{1}{2}$	Einzel Bel. Zeit
1	1	2	4	8	15	30	
1	2	4	8	15	30	60	S
A	B	C	D	E	F	G	



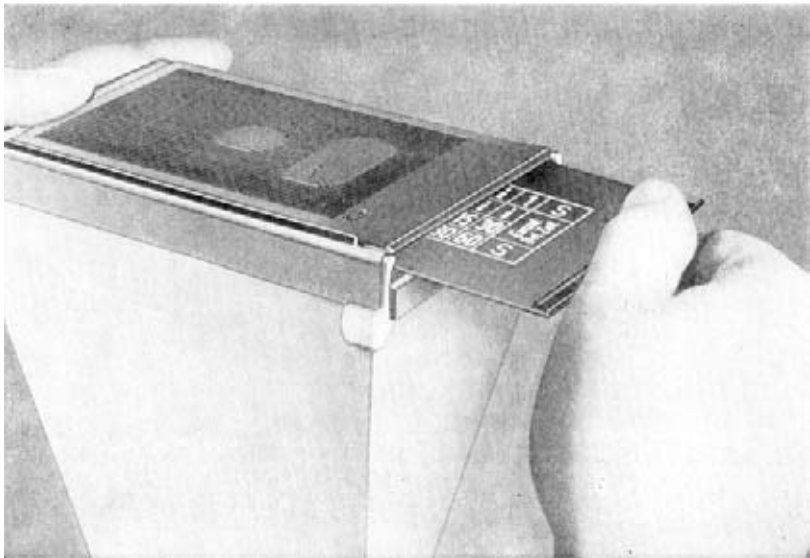
40a



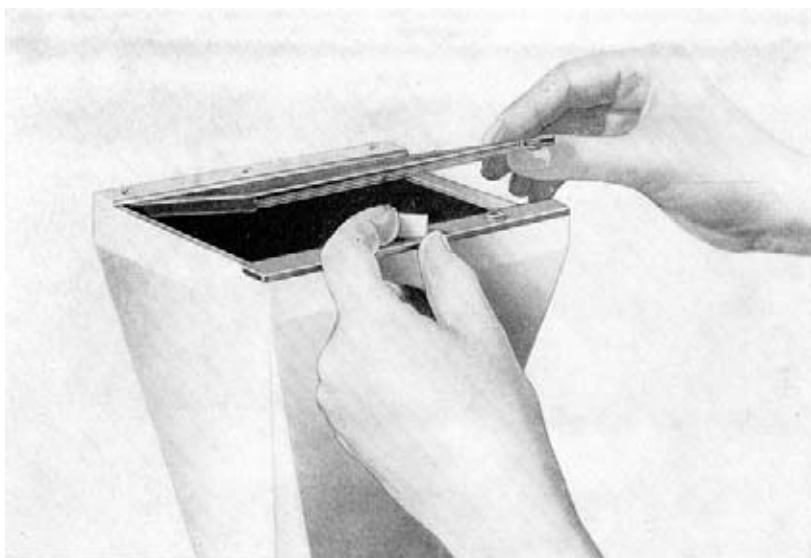
40b



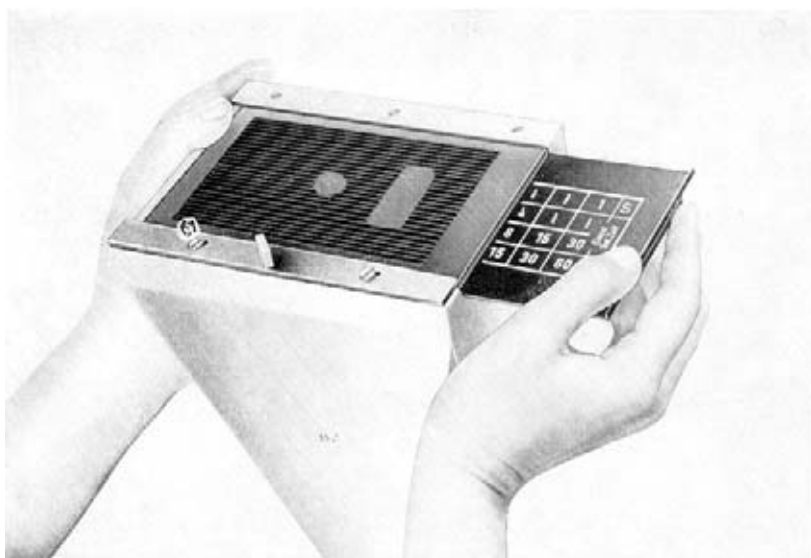
40c



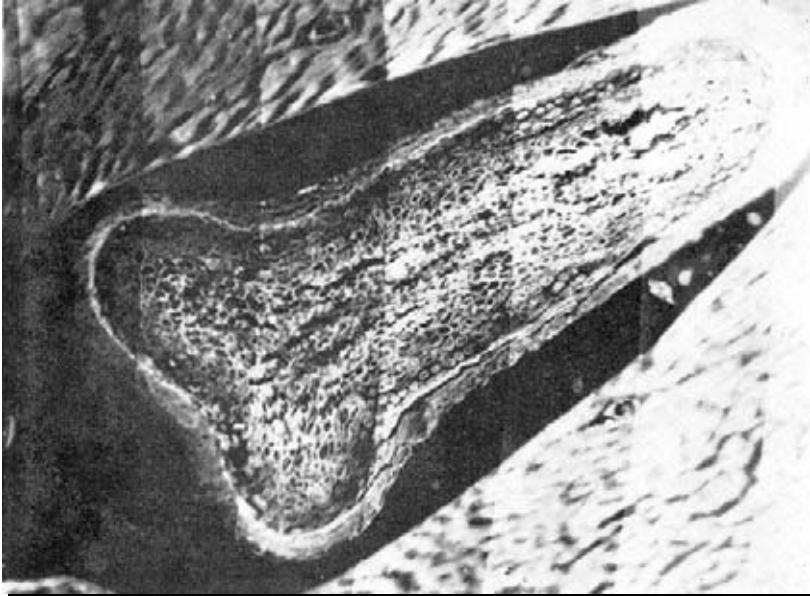
40d



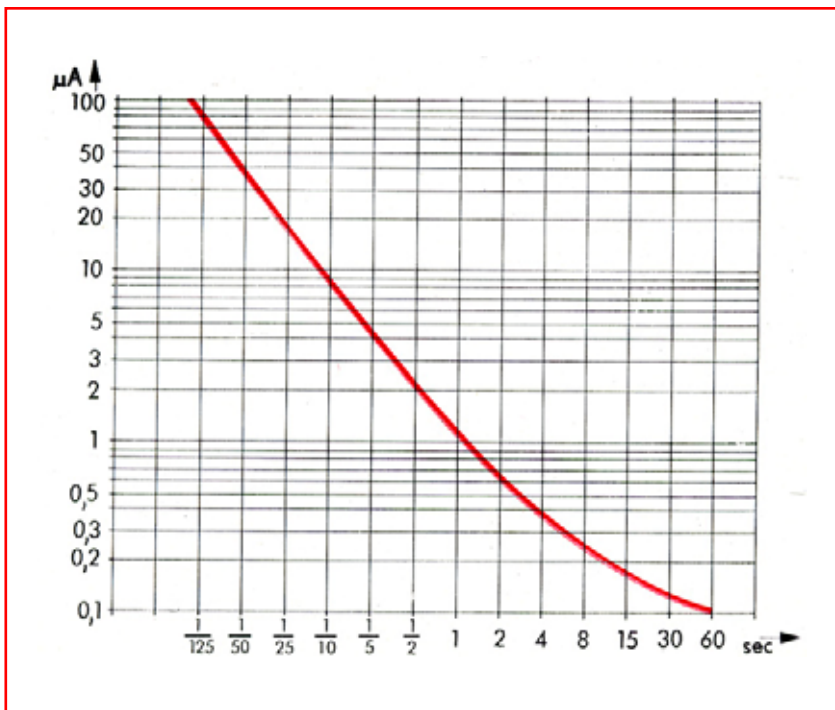
41a

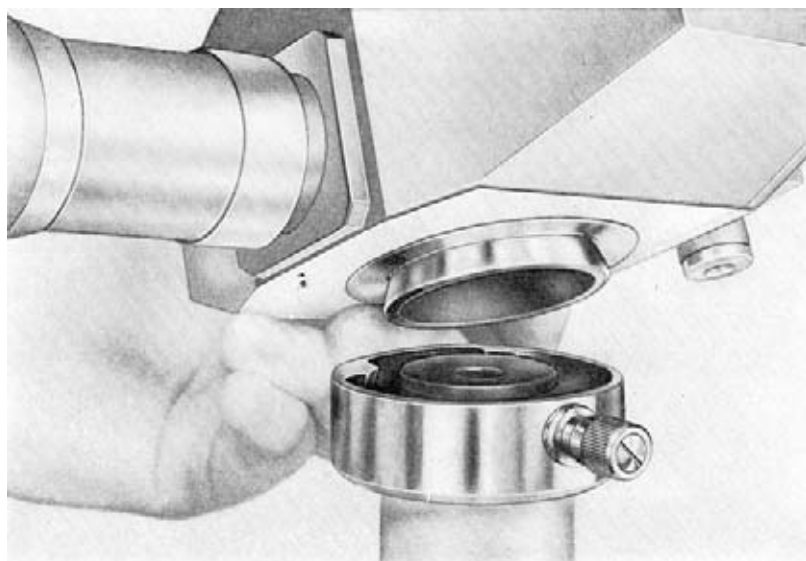


41b

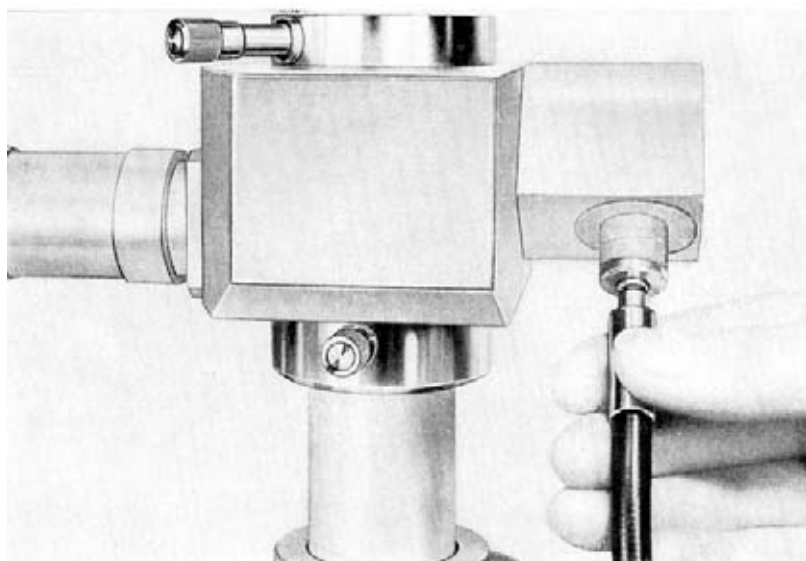


1. Exp.	1	1	1	1	1	1	1
2. Exp.		1	1	1	1	1	1
3. Exp.			2	2	2	2	2
4. Exp.				4	4	4	4
5. Exp.					8	8	8
6. Exp.						15	15
7. Exp.							30
t(s)	1	2	4	8	16	30	60

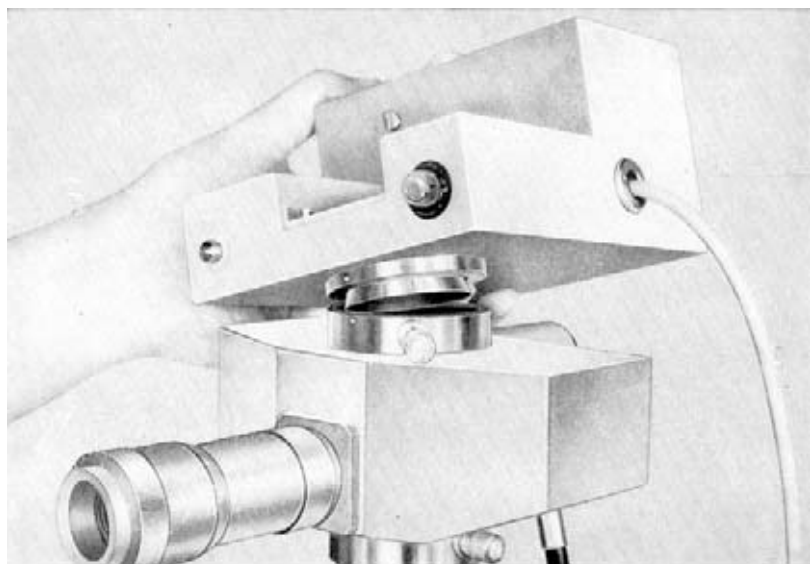




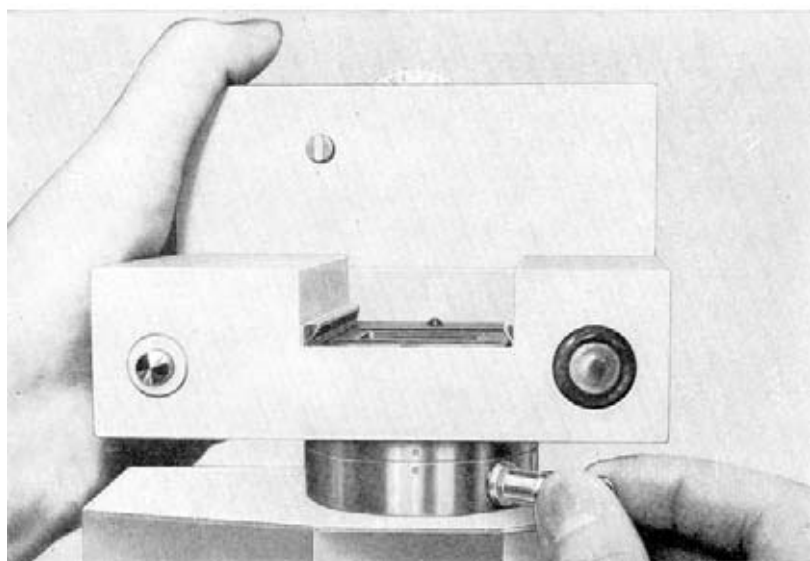
44a



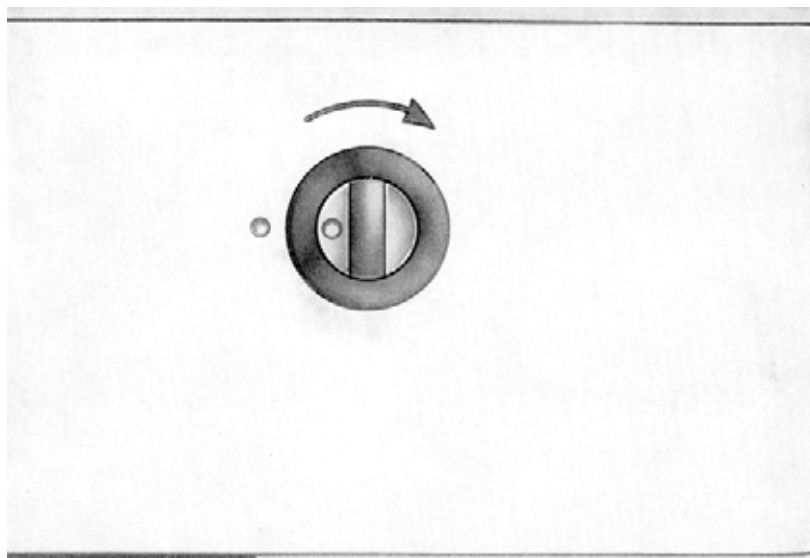
44b



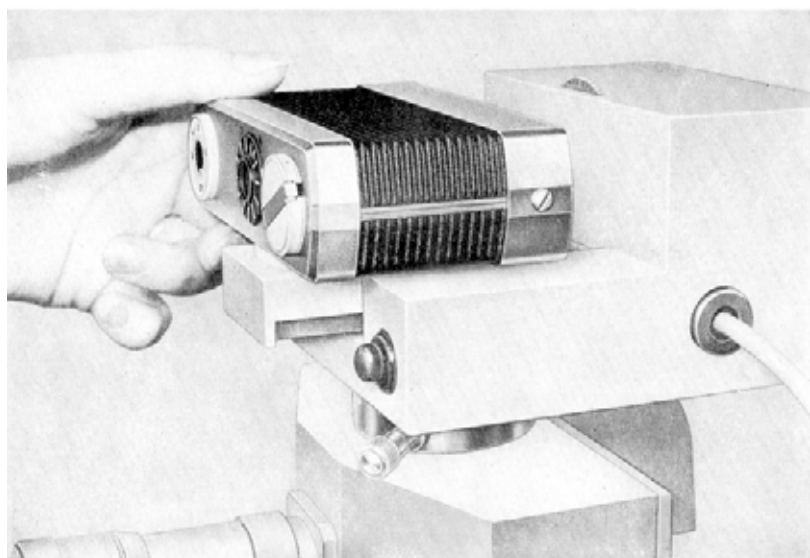
44c



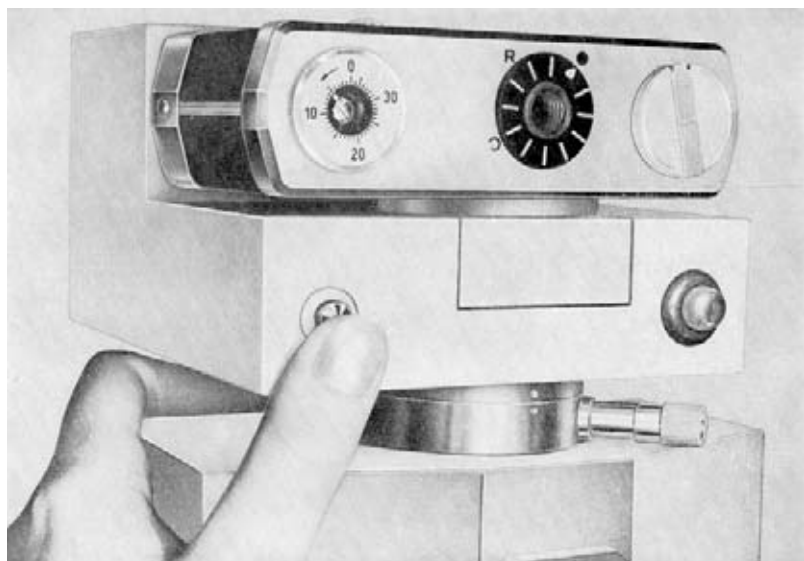
44d



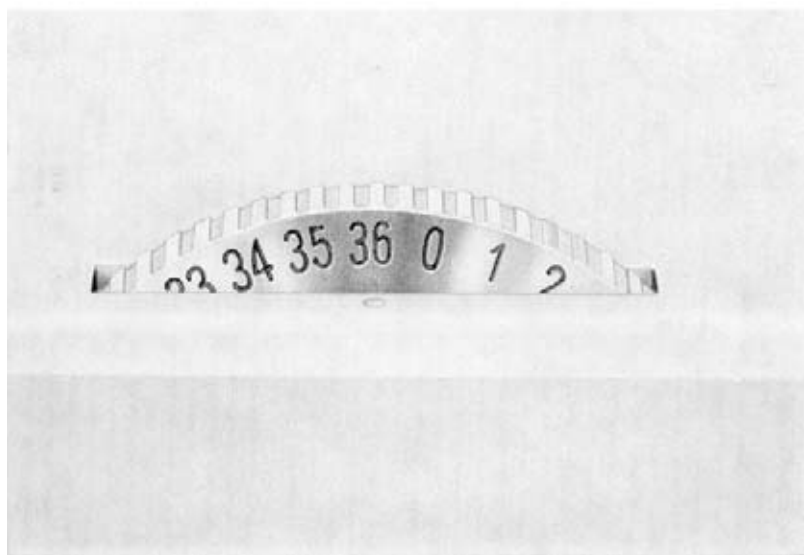
44e



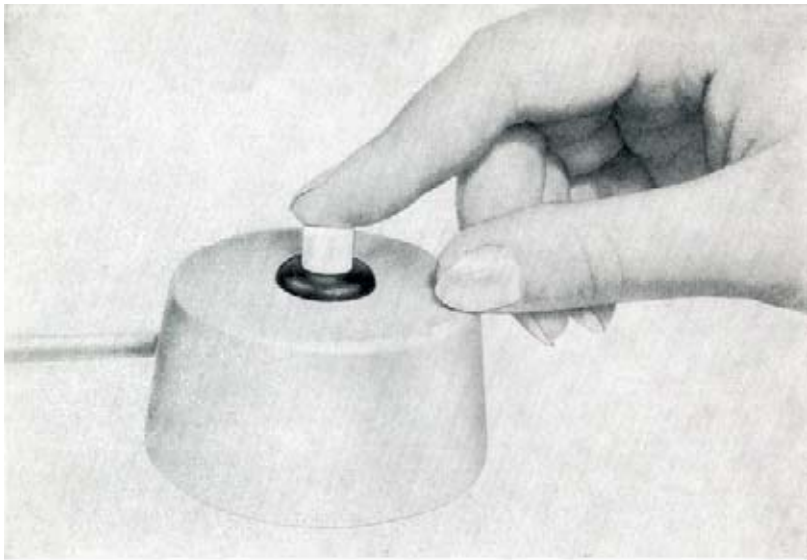
44f



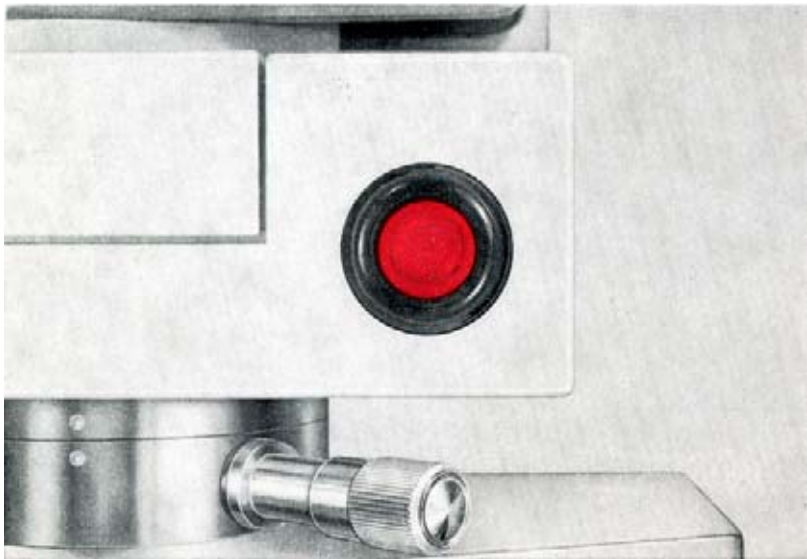
44g



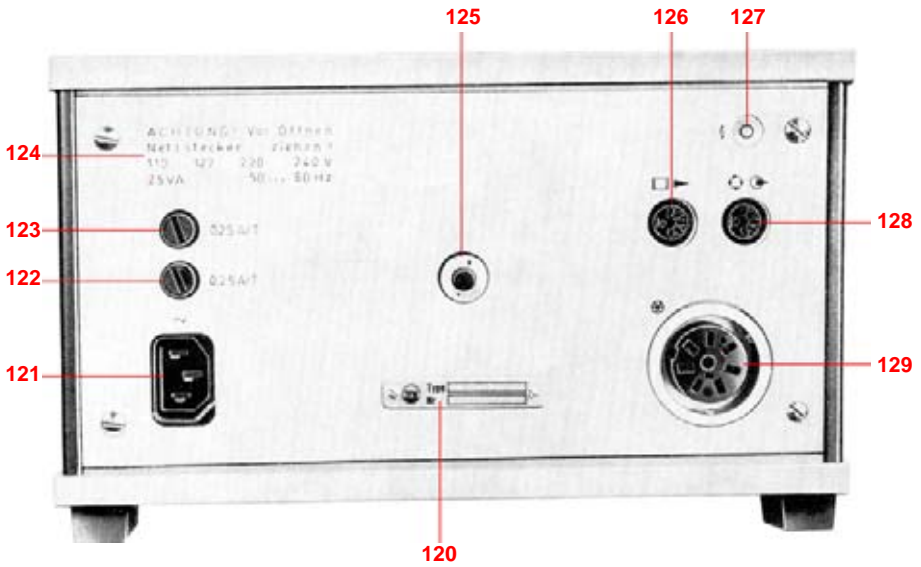
44h



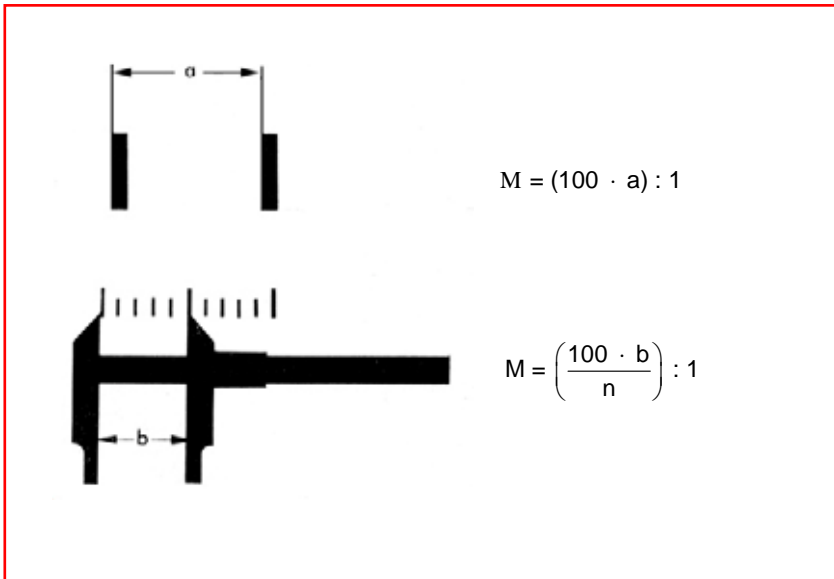
44k



44i



45



46

